

Induction

Power Stack Filter



WASHABLE

- Multi-Fit Neck -

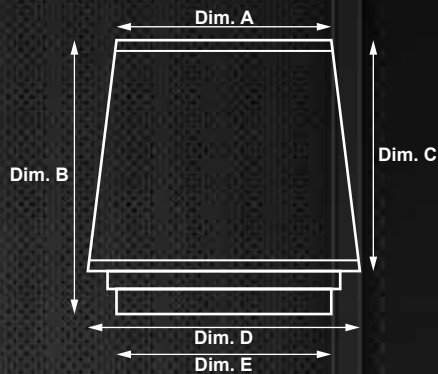
Fits 3"(76mm), 3 1/2"(89mm) & 4"(102mm) Pipes

The TFI Racing Power Stack above, has the ability to adjust its size by removing the inner sleeves. This allows the filter to go from 3"(76mm) to 3.5"(89mm) to 4"(102mm) just by removing the sleeves.

- 8711T** - Black Filter
- 8712** - Red Filter
- 8713** - Carbon Look Filter
- 8716** - Blue Filter
- 8717** - Purple Filter
- 8718T** - Chrome Filter

- Other Sizes - *Non Adjustable*

- 8728T** - Chrome Filter - 2 1/2"(64mm) ID Neck
- CHSIL** - Chrome Filter - 3"(76mm) ID Neck



Top Outer Dia	Overall Height	Filter Height	Bottom Outer Dia	Neck Inner Dia
Dim. A	Dim. B	Dim. C	Dim. D	Dim. E
4 ³ / ₄ " (120mm)	6 ¹ / ₈ " (156mm)	5 ¹ / ₁₆ " (129mm)	6" (152mm)	3-4" (76-102mm)

Top Outer Dia	Overall Height	Filter Height	Bottom Outer Dia	Neck Inner Dia
Dim. A	Dim. B	Dim. C	Dim. D	Dim. E
4 ³ / ₄ " (120mm)	6 ¹ / ₄ " (159mm)	5 ¹ / ₈ " (130mm)	6" (152mm)	2 1/2" (64mm)
4 ³ / ₄ " (120mm)	5 ¹⁵ / ₁₆ " (150mm)	5 ¹ / ₈ " (130mm)	6" (152mm)	3" (76mm)

Short Stack Filter



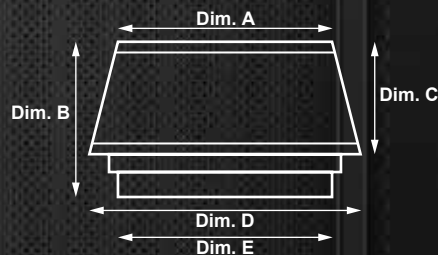
WASHABLE

- Multi-Fit Neck -

Fits 3"(76mm), 3 1/2"(89mm) & 4"(102mm) Pipes

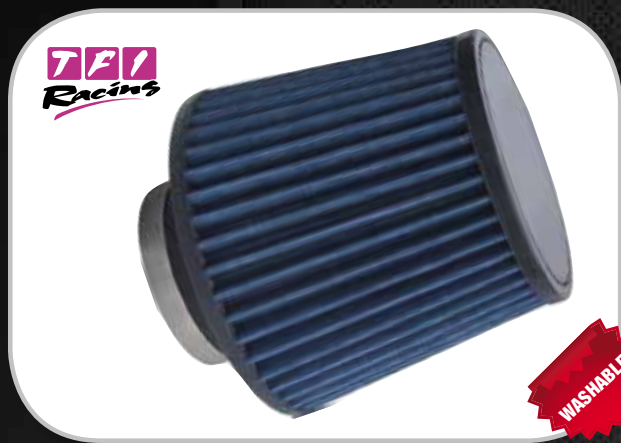
The TFI Racing Short Stack above, has the ability to adjust its size by removing the inner sleeves. This allows the filter to go from 3"(76mm) to 3.5"(89mm) to 4"(102mm) just by removing the sleeves.

- 8901** - Black Filter
- 8902** - Red Filter
- 8906** - Blue Filter
- 8908** - Chrome Filter



Top Outer Dia	Overall Height	Filter Height	Bottom Outer Dia	Neck Inner Dia
Dim. A	Dim. B	Dim. C	Dim. D	Dim. E
4 ³ / ₄ " (120mm)	3 1/2" (89mm)	2 1/2" (64mm)	6" (152mm)	3-4" (76-102mm)

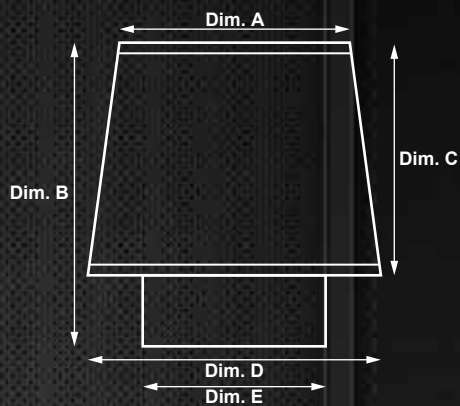
Urethane Filter



- 3" (76mm) ID Neck -

- Urethane Filter will never come apart
- Filter is moulded into the base

8926 - Blue Filter



Top Outer Dia	Overall Height	Filter Height	Bottom Outer Dia	Neck Inner Dia
Dim. A	Dim. B	Dim. C	Dim. D	Dim. E
5 1/8"	6 1/2"	5 1/8"	6 1/2"	3"
(130mm)	(165mm)	(130mm)	(165mm)	(76mm)

Mini Power Stack



- 3" (76mm) ID Neck -

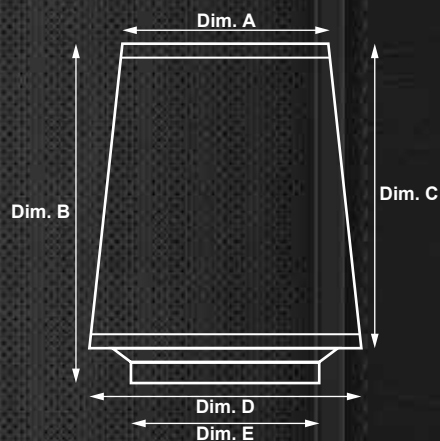
- Ideal for when space is limited

2310B - Blue Filter

2310C - Chrome Filter

2310BLK - Black Filter

2310R - Red Filter



Top Outer Dia	Overall Height	Filter Height	Bottom Outer Dia	Neck Inner Dia
Dim. A	Dim. B	Dim. C	Dim. D	Dim. E
4 5/8"	6 3/16"	5 1/8"	3 1/2"	3"
(117mm)	(160mm)	(130mm)	(89mm)	(76mm)

Storm Filter



- 2 1/2" (63mm) & 3" (76mm) ID Neck -

Available in two sizes. Supplied with rubber coupling clamp

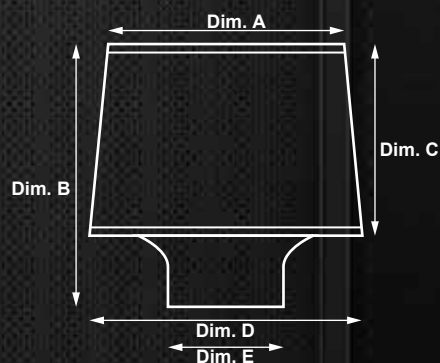
The TFI Racing Storm Filter has a lightweight Alloy Cap and Neck. It's ideal where filtration is only required via the side of the filter.

8951 - Black Filter 2 1/2" (63mm) Neck

8958 - White Filter 2 1/2" (63mm) Neck

8961 - Black Filter 3" (76mm) Neck

8968 - White Filter 3" (76mm) Neck



Top Outer Dia	Overall Height	Filter Height	Bottom Outer Dia	Neck Inner Dia
Dim. A	Dim. B	Dim. C	Dim. D	Dim. E
5 1/8"	5 3/8"	4"	5 7/8"	2 1/2" or 3"
(129mm)	(137mm)	(102mm)	(150mm)	(63mm) or (76mm)

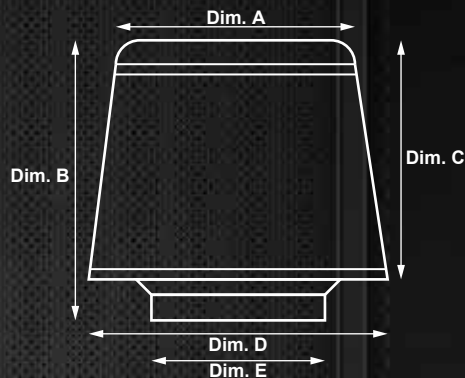
Typhoon Filter



- 3"(76mm) & 3 1/2"(89mm) ID Neck -
Available in two sizes

The TFI Racing Typhoon filter allows maximum air into the end, as well as side. Made up of chrome top and bottom.

- 8911** - Black Filter 3"(76mm) Neck
- 8918** - Chrome Filter 3"(76mm) Neck
- 8941** - Black Filter 3 1/2"(89mm) Neck
- 8948** - Chrome Filter 3 1/2"(89mm) Neck



Top Outer Dia	Overall Height	Filter Height	Bottom Outer Dia	Neck Inner Dia
Dim. A	Dim. B	Dim. C	Dim. D	Dim. E
5 1/2" [140mm]	6 1/2" [165mm]	5 1/2" [140mm]	6 7/8" [175mm]	3" or 3 1/2" [76mm] or [89mm]

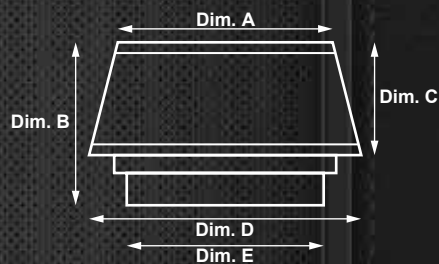
HPR™ P2 Air Filter



- Multi-Fit Neck -
Fits 3"(76mm), 3 1/2"(89mm) & 4"(102mm) Pipes

- High Flow cotton fibre element (Washable)
- Lifetime Warranty

- 8161** - Black Filter
- 8162** - Red Filter
- 8166** - Blue Filter
- 8168** - White Filter



Top Outer Dia	Overall Height	Filter Height	Bottom Outer Dia	Neck Inner Dia
Dim. A	Dim. B	Dim. C	Dim. D	Dim. E
4 3/4" [120mm]	3 1/2" [89mm]	2 1/2" [64mm]	6" [152mm]	3-4" [76-102mm]

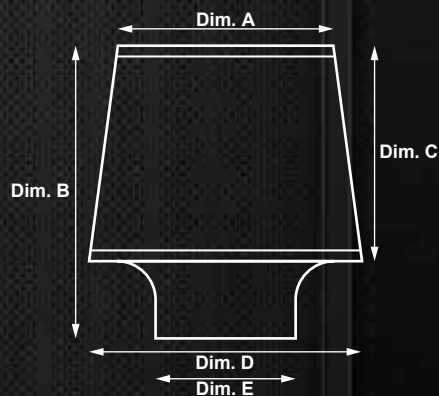
HPR™ P3 Air Filter



- 3"(76mm) ID Neck -

- High Flow cotton fibre element (Washable)
- Lifetime Warranty

- 9131** - Black Filter
- 9132** - Red Filter
- 9136** - Blue Filter
- 9138S** - White Filter



Top Outer Dia	Overall Height	Filter Height	Bottom Outer Dia	Neck Inner Dia
Dim. A	Dim. B	Dim. C	Dim. D	Dim. E
4 3/4" [120mm]	6 1/2" [165mm]	4 3/4" [120mm]	6" [152mm]	3" [76mm]

HPR™ P4 Air Filter



- Multi-Fit Neck -

Fits 3"(76mm), 3 1/2"(89mm) & 4"(102mm) Pipes

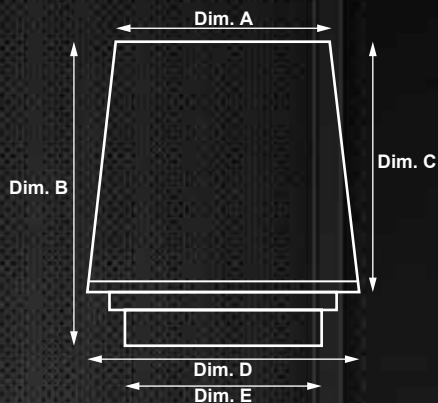
- High Flow cotton fibre element (Washable)
- Lifetime Warranty

8131 - Black Filter

8136 - Blue Filter

8132 - Red Filter

8138 - White Filter



Top Outer Dia	Overall Height	Filter Height	Bottom Outer Dia	Neck Inner Dia
Dim. A	Dim. B	Dim. C	Dim. D	Dim. E
4 3/4"	6 3/4"	5 1/2"	6"	3-4"
(120mm)	(171mm)	(140mm)	(152mm)	(76-102mm)

HPR™ P5 Air Filter



- Multi-Fit Neck -

Fits 3"(76mm), 3 1/2"(89mm) & 4"(102mm) Pipes

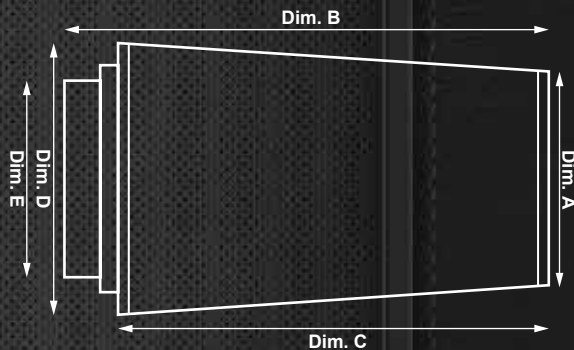
- High Flow cotton fibre element (Washable)
- Includes gear drive clamp
- Lifetime Warranty

9731 - Black Filter

9736 - Blue Filter

9732 - Red Filter

9738 - White Filter



Top Outer Dia	Overall Height	Filter Height	Bottom Outer Dia	Neck Inner Dia
Dim. A	Dim. B	Dim. C	Dim. D	Dim. E
4 3/4"	10 1/4"	9 1/2"	6"	3-4"
(120mm)	(267mm)	(241mm)	(152mm)	(76-102mm)

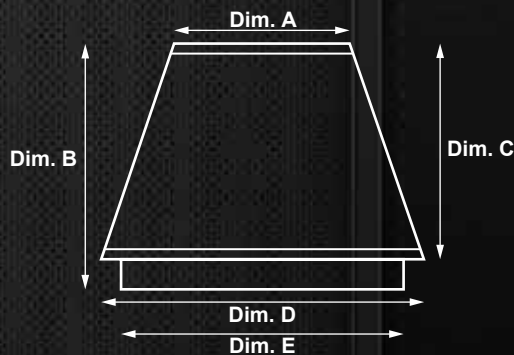
HPR Performance Filter



- High Flow Cotton Gauze -

Use with Velocity Stack Adaptors (P/N 9601-9604) to adapt to 2.5"(63mm) to 4"(102mm) Applications

HPR9606 - Red Filter



Top Outer Dia	Overall Height	Filter Height	Bottom Outer Dia	Neck Inner Dia
Dim. A	Dim. B	Dim. C	Dim. D	Dim. E
3 7/8"	5 3/4"	5 1/8"	7 1/8"	6"
(99mm)	(147mm)	(130mm)	(181mm)	(152mm)

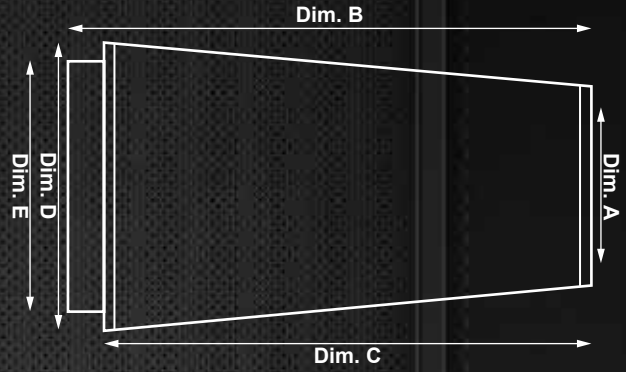
HPR Performance Filter



- High Flow Cotton Gauze -

Use with Velocity Stack Adaptors (P/N 9601-9604) to adapt to 2 1/2" (63mm) to 4" (102mm) Applications

HPR9605 - Red Filter



Top Outer Dia	Overall Height	Filter Height	Bottom Outer Dia	Neck Inner Dia
Dim. A	Dim. B	Dim. C	Dim. D	Dim. E
4 ⁵ / ₁₆ "	10 ⁵ / ₁₆ "	9 ³ / ₈ "	7 ³ / ₁₆ "	6"
(110mm)	(262mm)	(238mm)	(198mm)	(152mm)

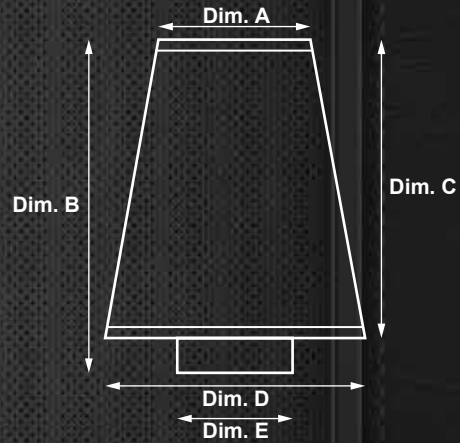
HPR Performance Filter



- High Flow Cotton Gauze -

For use of 2 1/2" (63mm) Air intake system

HPR9609 - Red Filter



Top Outer Dia	Overall Height	Filter Height	Bottom Outer Dia	Neck Inner Dia
Dim. A	Dim. B	Dim. C	Dim. D	Dim. E
3 ¹ / ₈ "	8"	6 ³ / ₁₆ "	5 ⁵ / ₈ "	2 ¹ / ₂ "
(79mm)	(203mm)	(157mm)	(143mm)	(64mm)

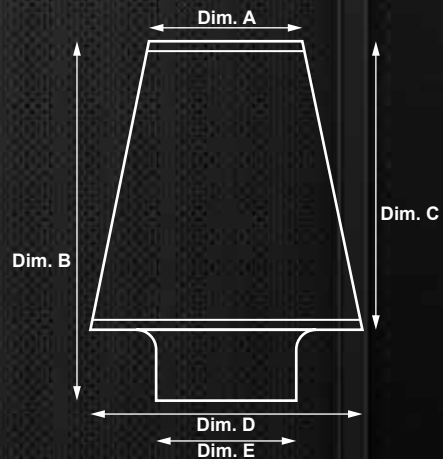
HPR Performance Filter



- High Flow Cotton Gauze -

For use of 3" (76mm) Air intake system

HPR9610 - Red Filter



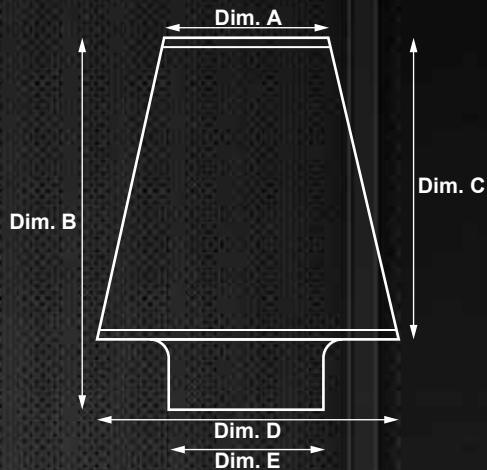
Top Outer Dia	Overall Height	Filter Height	Bottom Outer Dia	Neck Inner Dia
Dim. A	Dim. B	Dim. C	Dim. D	Dim. E
3 ¹ / ₂ "	8 ⁷ / ₈ "	6 ¹¹ / ₁₆ "	6 ¹ / ₂ "	3"
(89mm)	(225mm)	(170mm)	(165mm)	(76mm)

HPR Performance Filter



- High Flow Cotton Gauze -

For use of 3 1/2"(89mm) Air intake system
HPR9611 - Red Filter



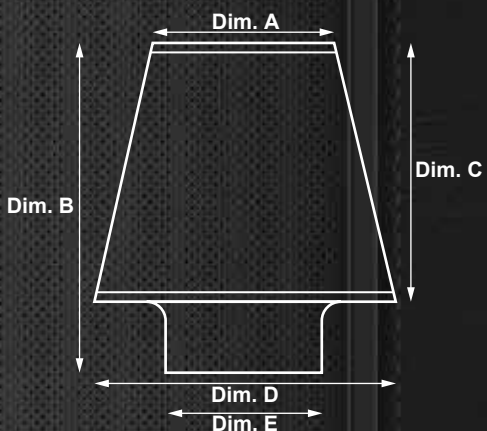
Top Outer Dia	Overall Height	Filter Height	Bottom Outer Dia	Neck Inner Dia
Dim. A	Dim. B	Dim. C	Dim. D	Dim. E
3 7/8"	9 1/5"	7 3/8"	7 5/8"	3 1/2"
(98mm)	(241mm)	(187mm)	(194mm)	(89mm)

HPR Performance Filter



- High Flow Cotton Gauze -

For use of 4"(102mm) Air intake system
HPR9612 - Red Filter



Top Outer Dia	Overall Height	Filter Height	Bottom Outer Dia	Neck Inner Dia
Dim. A	Dim. B	Dim. C	Dim. D	Dim. E
4 5/16"	10 1/4"	8 3/16"	7 1/2"	4"
(110mm)	(260mm)	(208mm)	(190mm)	(102mm)

HPR Velocity Funnel, Filter Inlet Adaptors



Use with HPR Performance Filters to Adapt from 6" to 4", 3 1/2", 3" & 2 1/2". Adds 1 5/16" to the height of the Filter.

- 9601 - 6" down to 2 1/2" Neck
- 9602 - 6" down to 3" Neck
- 9603 - 6" down to 3 1/2" Neck
- 9604 - 6" down to 4" Neck

Filter Recharge Kit



Optimize Airflow, by removing dirt & debris from your HPR™ Air Filter

HPR4820 - 12 Fluid Oz Cleaner & 8 Fluid Oz bottle of clear spray-on oil.

Filter Neck Reducer



9093 - Rubber Insert Reduces Neck size from 3"(76mm) - 2 1/2"(63mm)

Facts You Need To Know

No Filter should ever be bolted directly to the Turbo as the excessive heat can cause filter failure, such as melting. All reputable brands do not recommend this, & we agree.

Turbo Charged Engines create enormous heat in the Engine compartment which can transfer heat to other components. If heat transfers to the filter it may cause parts to fail & risk engine damage.

If you are in doubt at any stage contact our office and we will endeavour to assist you.

BUILD YOUR OWN HIGH PERFORMANCE INTAKE SYSTEM: HOW IT WORKS...



STEP 1

Using the application listing, locate the correct TFI Racing Airflow Meter Adaptor for your vehicle. If your vehicle does not require an adapter, go directly to step 2.



STEP 2

Choose the relevant shape TFI Racing Chrome Polymer pipe(s) to suit your application.



STEP 3



Choose a TFI Racing rubber joiner in your desired colour (Red, Blue or Black).

STEP 5

Connect all joiners and pipes using the TFI Racing Stainless Steel Clamps to hold together.



STEP 6

Connect your pod filter to your newly constructed intake pipe tightening with the stainless steel clamp included.



STEP 7

Connect the TFI Racing filter hose connector (Part No. 8147) to the intake end of the filter.



STEP 8

Connect the TFI Racing Filter Shield to the filter.



Part No. 8128

STEP 9

Connect your TFI Racing Memorex Intake Hose to the connector (colours available: Red, Blue, Black or Chrome).



STEP 10

Shape the Memorex to allow intake point to be at section of car receiving the highest amount of fresh, cool clean air.



STEP 11

Connect the system to the airflow meter/adaptor. Ensure all clamps are tightened securely.



STEP 12

Locate a mounting point(s) for your filter support bracket(s) to hold the intake system in place. Mount as many as required to avoid vibration.



Part No. 9039

Memorex Hose



- 3"(76mm) ID Memory Hose -
Supplied with 2 Heavy Duty Hose Clamps

8741S - Black 3"(76mm) ID x
35 1/2"(90cm) Length

8742S - Red 3"(76mm) ID x
35 1/2"(90cm) Length

8746S - Blue 3"(76mm) ID x
35 1/2"(90cm) Length

8748S - Chrome 3" (76mm) ID x
35 1/2"(90cm) Length

Memorex Hose



- 4"(102mm) ID Memory Hose -
Supplied with 2 HD Rubber Ducts

9751 - Black 4"(100mm) ID x
35 1/2"(90cm) Length

9758 - Chrome 4"(100mm) ID x
35 1/2"(90cm) Length

Air Hose Connector



8147 - Connects 3"(76mm) Hose to Filter

Guard Mount Adaptor



8148 - Suits 3"(76mm) Hose

9148 - Suits 4"(101mm) Hose

Chrome Filter Shield



- To Suit TFI & Spectre -
3"(76mm) - 3 1/2"(89mm) - 4"(102mm)
ID Neck Filters

Compatible with: 8711T, 8712, 8713, 8716,
8717, 8718T, 8131, 8132, 8136 & 8138

8128 - Chrome Polymer Finish
6"(152mm) Long

Chrome Filter Shield



- To Suit TFI & Spectre -
3"(76mm) - 3 1/2"(89mm) - 4"(102mm)
ID Neck Filters

Compatible with: 8711T, 8712, 8713, 8716,
8717, 8718T, 8131, 8132, 8136 & 8138

8130 - Polished Alloy Finish
6 5/8"(167mm) Long

Chrome Filter Shield



- To Suit TFI & Spectre -
3"(76mm) - 3 1/2"(89mm) - 4"(102mm)
ID Neck Filters

Compatible with: 9731, 9732, 9736, 9738

9730 - Polished Alloy Finish
10"(254mm) Long

Chrome Polymer Pipe



- Chrome Polymer Finish Air Intake Pipe -

8658 - Straight 3"(76mm) OD x
4" (102mm) Length

8651 - Straight 3"(76mm) OD x
6"(152mm) Length

Chrome Polymer Pipe



- Chrome Polymer Finish Air Intake Pipe -

8659 - Straight 3"(76mm) OD x
12"(305mm) Length

Chrome Polymer Pipe



- Chrome Polymer Finish Air Intake Pipe -

8653 - 45° Bend - 3"(76mm) OD x
6"(152mm) Length

Chrome Polymer Pipe



- Chrome Polymer Finish Air Intake Pipe -

8655 - 60° Bend - 3"(76mm) OD x
7"(178mm) Length

Chrome Polymer Pipe



- Chrome Polymer Finish Air Intake Pipe -

8657 - 90° Bend - 3"(76mm) OD x
9 1/2"(241mm) Length

Modular Cold Air Intake



The 400mph Company

The Spectre™ Modular Cold Air Intake is a revolutionary way to create the cold air intake you have always wanted.

Spectre™ Modular Cold Air Intake features an engineered co-polymer in conjunction with chromium plating that both insulates and reflects heat unlike steel, aluminium and titanium. The Spectre™ components stay cooler and deliver improve performance to your engine.



Smooth Air Flow

The smooth surface of the inside deliver higher amounts of airflow to your engine. Union tubing allows air splitting without interrupting the air flow.



Velocity Funnels

Increase you intake air up to 18% by drawing cold air directly from the front of the vehicle through the intake system.



Memorex

Flexible air intake ducting with built in memory technology that allows custom routing of cold air to fit any situation.

O-Ring Fit



All Modular Components
are O-Ring Fit

For the ultimate in heat protection



Straight Tube

- 4"(102mm) Long Tube -
Chrome Polymer Finish. Includes Collar Clamp
8708S - 3"(76mm) OD

Straight Tube

- 6"(152mm) Long Tube -
Chrome Polymer Finish. Includes Collar Clamp
8718S - 3"(76mm) OD

Elbow Tube

- 22° Bend -
Chrome Polymer Finish. Includes Collar Clamp
8728S - 6"(152mm) tall, 3"(76mm) OD

Elbow Tube

- 45° Bend -
Chrome Polymer Finish. Includes Collar Clamp
8738S - 6"(152mm) tall, 3"(76mm) OD

Elbow Tube

- 60° Bend -
Chrome Polymer Finish. Includes Collar Clamp
8668S - 5"(127mm) tall, 3"(76mm) OD

Elbow Tube

- 90° Bend -
Chrome Polymer Finish. Includes Collar Clamp
8698S - 4¹¹/₁₆" (120mm) tall,
3"(76mm) OD

Y Union

- 60° Y Union -
Chrome Polymer Finish. Includes Collar Clamp
8778 - 5³/₈"(136mm) tall, 3"(76mm) OD

Extension Collar

- 1/2" (38mm) Extension -
Chrome Polymer Finish
8808 - 3"(76mm) OD

Vacuum / Sensor Tube

- Includes Collar Clamp -
Chrome Polymer Finish
8707 - 3"(76mm) OD

Air Sensor Mount Kit

- Chrome Polymer Finish -
8705 - Mount Kit fits many applications

Collar Clamp

- Supplied with All Pieces -
Chrome Polymer Finish
8706S - Replacement Collar, 3"(76mm) OD

Velocity Funnel

- Fits 3"(76mm) Ducting -
Pair of Chrome Polymer Finish
8788 - Fits 3"(76mm) ducting

Aluminium Tubes

Straight Tube



- 1" (25mm)
Long Tube -
9421 - 3" (76mm) ID
9721 - 4" (102mm) ID

Straight Tube



- 2" (51mm)
Long Tube -
9422 - 3" (76mm) ID
9722 - 4" (102mm) ID

Straight Tube



- 4" (102mm)
Long Tube -
9209 - 2.5" (63mm) ID
9409 - 3" (76mm) ID
9509 - 3.5" (89mm) ID
9709 - 4" (102mm) ID

Straight Tube



- 6" (152mm)
Long Tube -
9219 - 2.5" (63mm) ID
9419 - 3" (76mm) ID
9519 - 3.5" (89mm) ID
9719 - 4" (102mm) ID

Tube with Bead



- Polished Alloy
with Riby -
Also Suit Intercooler Piping
7027 - 3" (89mm) OD -
11.81" (300mm)
Long

Straight Tube



- 24" (610mm)
Long Tube -
9224 - 2.5" (63mm) ID
9424 - 3" (76mm) ID
9524 - 3.5" (89mm) ID
9724 - 4" (102mm) ID

Mandrel Bend



- 22° Bend -

	Outer Diameter		Radius		Leg Length		Overall Height	
	Imperial	Metric	Imperial	Metric	Imperial	Metric	Imperial	Metric
9229 -	2.5"	(64mm)	3.5"	(89mm)	1"	(25mm)	4.5"	(114mm)
9429 -	3"	(76mm)	9.5"	(241mm)	1"	(25mm)	6"	(152mm)
9529 -	3.5"	(89mm)	4.5"	(114mm)	1"	(25mm)	5.5"	(140mm)
9729 -	4"	(102mm)	10.9"	(276mm)	1"	(25mm)	6.75"	(171mm)

As Fabricated pipes are not pressure tested. We do not recommend use for intercooler piping ect.

Mandrel Bend

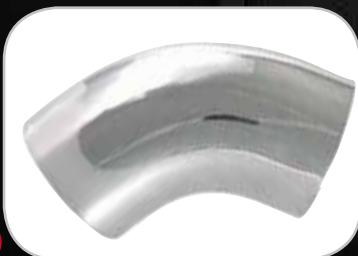


- 45° Bend -

	Outer Diameter		Radius		Leg Length		Overall Height	
	Imperial	Metric	Imperial	Metric	Imperial	Metric	Imperial	Metric
9249 -	2.5"	(64mm)	2.75"	(70mm)	1"	(25mm)	4.5"	(114mm)
9449 -	3"	(76mm)	4.5"	(114mm)	1"	(25mm)	6"	(152mm)
9549 -	3.5"	(89mm)	3.75"	(95mm)	1"	(25mm)	5.5"	(140mm)
9749 -	4"	(102mm)	4.75"	(120mm)	1"	(25mm)	6.4"	(162mm)

As Fabricated pipes are not pressure tested. We do not recommend use for intercooler piping ect.

Mandrel Bend



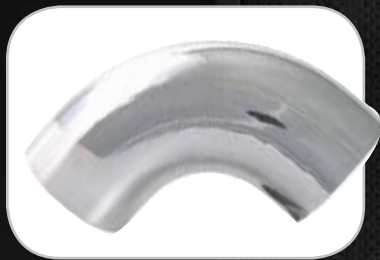
- 60° Bend -

	Outer Diameter		Radius		Leg Length		Overall Height	
	Imperial	Metric	Imperial	Metric	Imperial	Metric	Imperial	Metric
9269 -	2.5"	(64mm)	2.75"	(70mm)	1"	(25mm)	5"	(127mm)
9469 -	3"	(76mm)	3.25"	(83mm)	1"	(25mm)	5.6"	(142mm)
9569 -	3.5"	(89mm)	3.9"	(99mm)	1"	(25mm)	6.25"	(159mm)
9769 -	4"	(102mm)	4"	(102mm)	1"	(25mm)	6.6"	(167mm)

As Fabricated pipes are not pressure tested. We do not recommend use for intercooler piping ect.

Aluminium Tubes

Mandrel Bend



- 90° Bend -

	Outer Diameter		Radius		Leg Length		Overall Height	
	Imperial	Metric	Imperial	Metric	Imperial	Metric	Imperial	Metric
9299 -	2.5"	(64mm)	3"	(76mm)	1"	(25mm)	5.2"	(132mm)
9499 -	3"	(76mm)	3.25"	(83mm)	1"	(25mm)	5.9"	(150mm)
9599 -	3.5"	(89mm)	3.75"	(95mm)	1"	(25mm)	6.5"	(165mm)
9799 -	4"	(102mm)	4.1"	(104mm)	1"	(25mm)	6.8"	(178mm)

As Fabricated pipes are not pressure tested. We do not recommend use for intercooler piping ect..

Weld Bend



- 60° Two Weld Bend -

	Outer Diameter		Radius		Leg Length		Overall Height	
	Imperial	Metric	Imperial	Metric	Imperial	Metric	Imperial	Metric
9268 -	2.5"	(64mm)	2.5"	(64mm)	1"	(25mm)	4.25"	(108mm)
9468 -	3"	(76mm)	2.5"	(64mm)	1"	(25mm)	5.1"	(130mm)
9568 -	3.5"	(89mm)	2"	(51mm)	1"	(25mm)	5"	(127mm)
9768 -	4"	(102mm)	3.5"	(89mm)	1"	(25mm)	6"	(152mm)

As Fabricated pipes are not pressure tested. We do not recommend use for intercooler piping ect..

Weld Bend



- 90° Three Weld Bend -

	Outer Diameter		Radius		Leg Length		Overall Height	
	Imperial	Metric	Imperial	Metric	Imperial	Metric	Imperial	Metric
9298 -	2.5"	(64mm)	2"	(51mm)	1"	(25mm)	4.25"	(108mm)
9498 -	3"	(76mm)	2"	(51mm)	1"	(25mm)	4.7"	(119mm)
9598 -	3.5"	(89mm)	2.5"	(64mm)	1"	(25mm)	5.25"	(133mm)
9798 -	4"	(102mm)	2.5"	(64mm)	1"	(25mm)	5.6"	(142mm)

As Fabricated pipes are not pressure tested. We do not recommend use for intercooler piping ect..

Weld Y-Tube



- 135° Y-Tube -

	Outer Diameter		Radius		Leg Length		Overall Height	
	Imperial	Metric	Imperial	Metric	Imperial	Metric	Imperial	Metric
9479 -	3"	(76mm)	---	---	1"	(25mm)	5.75"	(146mm)
9778 -	4"	(102mm)	6.1"	(155mm)	1"	(25mm)	6.1"	(155mm)

As Fabricated pipes are not pressure tested. We do not recommend use for intercooler piping ect..

T-Bolt Clamp



- Stainless Steel -
0.5" (12mm) Width

8611 -	2" - 2.3" (50-59mm)	Clamp Range
8612 -	2.3" - 2.7" (60-69mm)	Clamp Range
8613 -	2.7" - 3.1" (70-79mm)	Clamp Range
8614 -	3.1" - 3.5" (80-89mm)	Clamp Range
8615 -	3.5" - 3.9" (90-99mm)	Clamp Range
8616 -	3.9" - 4.3" (100-109mm)	Clamp Range

HD Clamps



- Stainless Steel -
0.5" (12mm) Width

8511 -	2.6" - 2.8" (68-73mm)	Clamp Range
8513 -	2.8" - 3.1" (73-79mm)	Clamp Range
8515 -	3.1" - 3.3" (79-85mm)	Clamp Range
8517 -	3.3" - 3.5" (85-91mm)	Clamp Range
8519 -	3.5" - 3.8" (91-97mm)	Clamp Range

Collar Clamp

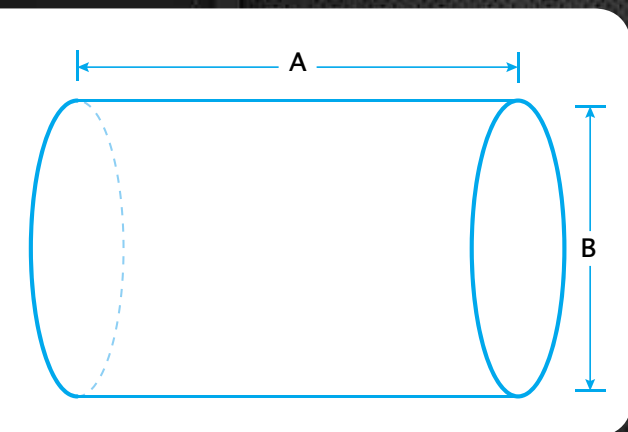


- 1.6" (42mm) Extra Wide -
Polished Stainless

9406 -	Suit 3" (76mm) OD Tubes
9706 -	Suit 4" (101mm) OD Tubes

Straight Hoses

Material:	Silicone VMQ (Vinyl Methyl Quality)
Textile reinforcement:	3 or 4 plies of polyester net
Temperature range:	-60°C to 240°C
Standard wall thickness:	4.0mm - 5.0mm
Lengths:	76mm, 250mm & 1000mm
Appearance:	Plain outward and inner
Colour:	Black



Part Number Straight Hose	Inner Diameter (B)		Length (A)	
	metric	imperial	metric	imperial
SH-S-51-76-BLK	51mm	2.0in	76mm	3.0in
SH-S-51-250-BLK	51mm	2.0in	250mm	9.8in
SH-S-54-76-BLK	54mm	2.125in	76mm	3.0in
SH-S-57-76-BLK	57mm	2.25in	76mm	3.0in
SH-S-57-250-BLK	57mm	2.25in	250mm	9.8in
SH-S-60-76-BLK	60mm	2.375in	76mm	3.0in
SH-S-63-76-BLK	63mm	2.5in	76mm	3.0in
SH-S-63-250-BLK	63mm	2.5in	250mm	9.8in
SH-S-63-1000-BLK	63mm	2.5in	1,000mm	39.4in
SH-S-70-76-BLK	70mm	2.75in	76mm	3.0in
SH-S-76-76-BLK	76mm	3.0in	76mm	3.0in
SH-S-76-250-BLK	76mm	3.0in	250mm	9.8in
SH-S-76-1000-BLK	76mm	3.0in	1,000mm	39.4in
SH-S-80-76-BLK	80mm	3.125in	76mm	3.0in
SH-S-83-76-BLK	83mm	3.25in	76mm	3.0in
SH-S-89-76-BLK	89mm	3.5in	76mm	3.0in
SH-S-95-76-BLK	95mm	3.75in	76mm	3.0in
SH-S-102-76-BLK	102mm	4.0in	76mm	3.0in
SH-S-102-250-BLK	102mm	4.0in	250mm	9.8in

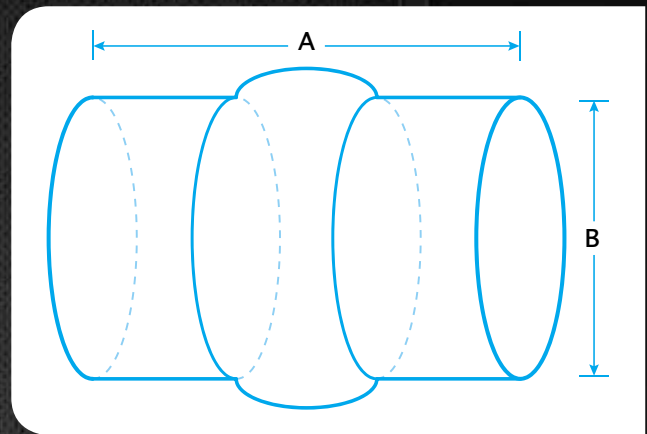
Hump Hoses

Material:	Silicone VMQ (Vinyl Methyl Quality)
Textile reinforcement:	3 or 4 plies of polyester net
Temperature range:	-60°C to 240°C
Standard wall thickness:	4.0mm - 5.0mm
Lengths:	76mm
Appearance:	Plain outward and inner
Colour:	Black



Hump Hoses cont.

Part Number Hump Hose	Inner Diameter (B)		Length (A)	
	metric	imperial	metric	imperial
SH-HU-51-76-BLK	51mm	2.0in	76mm	3.0in
SH-HU-57-76-BLK	57mm	2.25in	76mm	3.0in
SH-HU-60-76-BLK	60mm	2.375in	76mm	3.0in
SH-HU-63-76-BLK	63mm	2.5in	76mm	3.0in
SH-HU-70-76-BLK	70mm	2.75in	76mm	3.0in
SH-HU-76-76-BLK	76mm	3.0in	76mm	3.0in
SH-HU-80-76-BLK	80mm	3.125in	76mm	3.0in
SH-HU-83-76-BLK	83mm	3.25in	76mm	3.0in
SH-HU-89-76-BLK	89mm	3.5in	76mm	3.0in
SH-HU-95-76-BLK	95mm	3.75in	76mm	3.0in
SH-HU-102-76-BLK	102mm	4.0in	76mm	3.0in

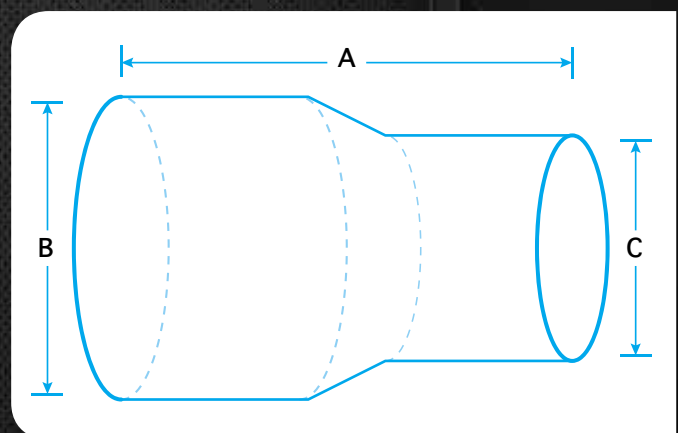


Straight Reducer



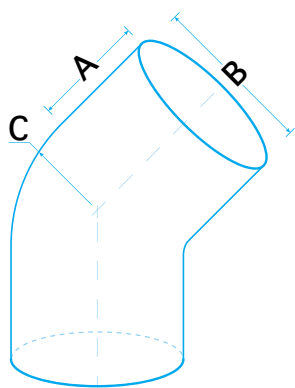
Material:	Silicone VMQ (Vinyl Methyl Quality)
Textile reinforcement:	3 or 4 plies of polyester net
Temperature range:	-60°C to 240°C
Standard wall thickness:	4.0mm - 5.0mm
Lengths:	76mm
Appearance	Plain outward and inner
Colour:	Black

Part Number Straight Reducer	Inner Diameter (B) > (C)		Length (A)	
	metric	imperial	metric	imperial
SH-R-51-38-BLK	51mm > 38mm	2in > 1.5in	76mm	3.0in
SH-R-51-45-BLK	51mm > 45mm	2in > 1.75in	76mm	3.0in
SH-R-54-51-BLK	54mm > 51mm	2.125in > 2in	76mm	3.0in
SH-R-57-51-BLK	57mm > 51mm	2.25in > 2in	76mm	3.0in
SH-R-60-48-BLK	60mm > 48mm	2.375in > 1.875in	76mm	3.0in
SH-R-63-51-BLK	63mm > 51mm	2.5in > 2in	76mm	3.0in
SH-R-63-57-BLK	63mm > 57mm	2.5in > 2.25in	76mm	3.0in
SH-R-70-51-BLK	70mm > 51mm	2.75in > 2in	76mm	3.0in
SH-R-70-57-BLK	70mm > 57mm	2.75in > 2.25in	76mm	3.0in
SH-R-70-63-BLK	70mm > 63mm	2.75in > 2.5in	76mm	3.0in
SH-R-76-51-BLK	76mm > 51mm	3in > 2in	76mm	3.0in
SH-R-76-57-BLK	76mm > 57mm	3in > 2.25in	76mm	3.0in
SH-R-76-63-BLK	76mm > 63mm	3in > 2.5in	76mm	3.0in
SH-R-76-70-BLK	76mm > 70mm	3in > 2.75in	76mm	3.0in
SH-R-80-60-BLK	80mm > 60mm	3.125in > 2.375in	76mm	3.0in
SH-R-80-63-BLK	80mm > 63mm	3.125in > 2.5in	76mm	3.0in
SH-R-80-70-BLK	80mm > 70mm	3.125in > 2.75in	76mm	3.0in
SH-R-80-74-BLK	80mm > 74mm	3.125in > 2.9375in	76mm	3.0in
SH-R-80-76-BLK	80mm > 76mm	3.125in > 3in	76mm	3.0in
SH-R-83-70-BLK	83mm > 70mm	3.25in > 2.75in	76mm	3.0in
SH-R-83-76-BLK	83mm > 76mm	3.25in > 3in	76mm	3.0in
SH-R-89-76-BLK	89mm > 76mm	3.5in > 3in	76mm	3.0in
SH-R-89-80-BLK	89mm > 80mm	3.5in > 3.125in	76mm	3.0in
SH-R-102-76-BLK	102mm > 76mm	4in > 3in	76mm	3.0in
SH-R-102-89-BLK	102mm > 89mm	4in > 3.55in	76mm	3.0in
SH-R-127-102-BLK	127mm > 102mm	5in > 4in	76mm	3.0in

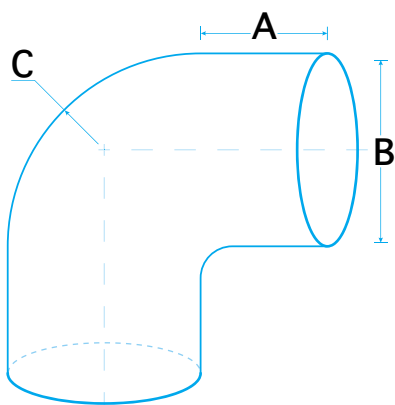


Elbow 45° / 90° / 135°

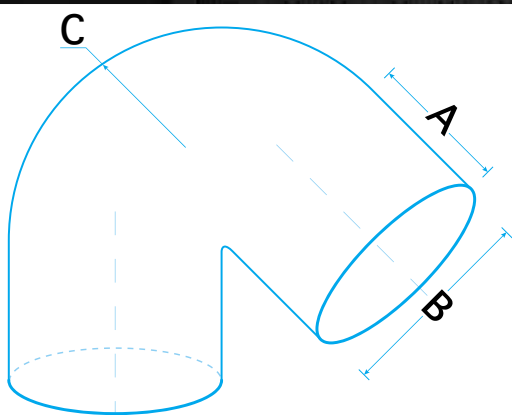
Material:	Silicone VMQ (Vinyl Methyl Quality)
Textile reinforcement:	3 or 4 plies of polyester net
Temperature range:	-60°C to 240°C
Standard wall thickness:	4.0mm - 5.0mm
Lengths:	50mm
Appearance:	Plain outward and inner
Colour:	Black



Part Number	Inner Diameter (B)		Length (A)	
	metric	imperial	metric	imperial
SH-E45-51-50-BLK	51mm	2in	50mm	2.0in
SH-E45-54-50-BLK	54mm	2.125in	50mm	2.0in
SH-E45-57-50-BLK	57mm	2.25in	50mm	2.0in
SH-E45-60-50-BLK	60mm	2.375in	50mm	2.0in
SH-E45-63-50-BLK	63mm	2.5in	50mm	2.0in
SH-E45-70-50-BLK	70mm	2.75in	50mm	2.0in
SH-E45-76-50-BLK	76mm	3in	50mm	2.0in
SH-E45-80-50-BLK	80mm	3.125in	50mm	2.0in
SH-E45-83-50-BLK	83mm	3.25in	50mm	2.0in
SH-E45-89-50-BLK	89mm	3.5in	50mm	2.0in
SH-E45-95-50-BLK	95mm	3.75in	50mm	2.0in
SH-E45-102-50-BLK	102mm	4in	50mm	2.0in



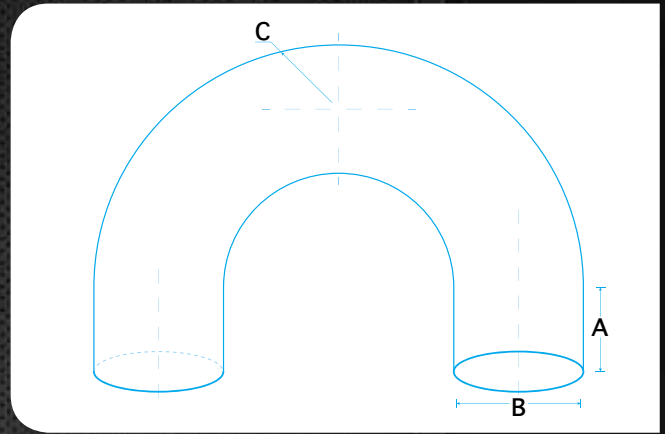
Elbow 90° Degree (C)				
SH-E90-51-50-BLK	51mm	2in	50mm	2.0in
SH-E90-54-50-BLK	54mm	2.125in	50mm	2.0in
SH-E90-57-50-BLK	57mm	2.25in	50mm	2.0in
SH-E90-60-50-BLK	60mm	2.375in	50mm	2.0in
SH-E90-63-50-BLK	63mm	2.5in	50mm	2.0in
SH-E90-70-50-BLK	70mm	2.75in	50mm	2.0in
SH-E90-76-50-BLK	76mm	3in	50mm	2.0in
SH-E90-80-50-BLK	80mm	3.125in	50mm	2.0in
SH-E90-83-50-BLK	83mm	3.25in	50mm	2.0in
SH-E90-89-50-BLK	89mm	3.5in	50mm	2.0in
SH-E90-95-50-BLK	95mm	3.75in	50mm	2.0in
SH-E90-102-50-BLK	102mm	4in	50mm	2.0in



Elbow 135° Degree (C)				
SH-E135-51-50-BLK	51mm	2in	50mm	2.0in
SH-E135-57-50-BLK	57mm	2.25in	50mm	2.0in
SH-E135-63-50-BLK	63mm	2.5in	50mm	2.0in
SH-E135-70-50-BLK	70mm	2.75in	50mm	2.0in
SH-E135-76-50-BLK	76mm	3in	50mm	2.0in
SH-E135-83-50-BLK	83mm	3.25in	50mm	2.0in
SH-E135-89-50-BLK	89mm	3.5in	50mm	2.0in

Elbow 45° / 90° / 135° cont.

Part Number	Inner Diameter (B)		Length (A)	
	metric	imperial	metric	imperial
SH-E180-51-50-BLK	51mm	2in	50mm	2.0in
SH-E180-57-50-BLK	57mm	2.25in	50mm	2.0in
SH-E180-63-50-BLK	63mm	2.5in	50mm	2.0in
SH-E180-70-50-BLK	70mm	2.75in	50mm	2.0in
SH-E180-76-50-BLK	76mm	3in	50mm	2.0in

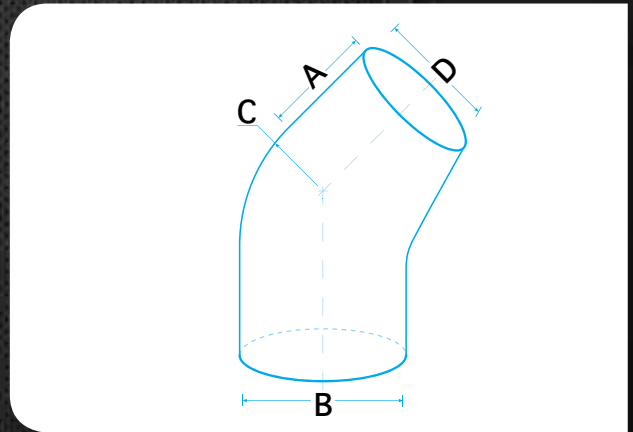


Reducer Elbow 45° / 90°

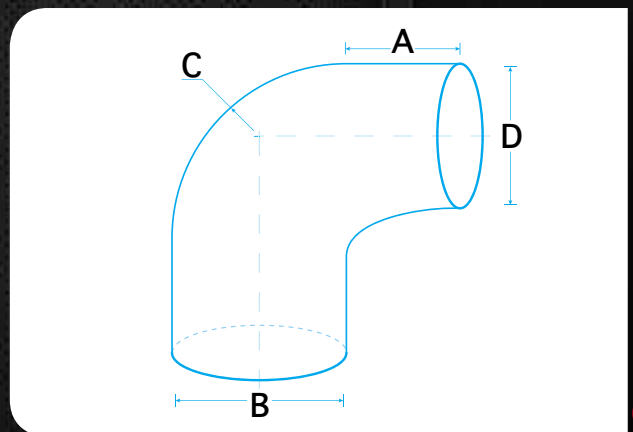


Material: Silicone VMQ (Vinyl Methyl Quality)
Textile reinforcement: 3 or 4 plies of polyester net
Temperature range: -60°C to 240°C
Standard wall thickness: 4.0mm - 5.0mm
Lengths: 50mm
Appearance: Plain outward and inner
Colour: Black

Part Number	Inner Diameter (B) > (D)		Length (A)	
	metric	imperial	metric	imperial
SH-RE45-51-38-BLK	51mm > 38mm	2in > 1.5in	50mm	2.0in
SH-RE45-57-51-BLK	57mm > 51mm	2.25in > 2in	50mm	2.0in
SH-RE45-63-51-BLK	63mm > 51mm	2.5in > 2in	50mm	2.0in
SH-RE45-70-63-BLK	70mm > 63mm	2.75in > 2.5in	50mm	2.0in
SH-RE45-76-51-BLK	76mm > 51mm	3in > 2in	50mm	2.0in
SH-RE45-76-63-BLK	76mm > 63mm	3in > 2.5in	50mm	2.0in
SH-RE45-102-76-BLK	102mm > 76mm	4in > 3in	50mm	2.0in



Part Number	Inner Diameter (B) > (D)		Length (A)	
	metric	imperial	metric	imperial
SH-RE90-51-38-BLK	51mm > 38mm	2in > 1.5in	50mm	2.0in
SH-RE90-57-51-BLK	57mm > 51mm	2.25in > 2in	50mm	2.0in
SH-RE90-63-51-BLK	63mm > 51mm	2.5in > 2in	50mm	2.0in
SH-RE90-70-63-BLK	70mm > 63mm	2.75in > 2.5in	50mm	2.0in
SH-RE90-76-51-BLK	76mm > 51mm	3in > 2in	50mm	2.0in
SH-RE90-76-63-BLK	76mm > 63mm	3in > 2.5in	50mm	2.0in
SH-RE90-102-76-BLK	102mm > 76mm	4in > 3in	50mm	2.0in



Rubber Reducer



- 8431 - Black 3"(76mm) to 3"(76mm)
- 8432 - Red 3"(76mm) to 3"(76mm)
- 8436 - Blue 3"(76mm) to 3"(76mm)

Rubber Joiner



- With Standard Clamp -
- 8771 - Black 3" - 3"(76mm) or 2.5"(63mm)
- 8776S - Blue 3" - 3"(76mm) or 2.5"(63mm)
- 9571 - Black 3.5" - 3.5" (89mm)
- 9771 - Black 4" - 4"(102mm) or 3.75"(95mm)
- 9776S - Blue 4" - 4"(102mm) or 3.75"(95mm)

Rubber Reducer



- 8411 - Black 3"(76mm) to 2.5"(63mm)
- 8412 - Red 3"(76mm) to 2.5"(63mm)
- 8416 - Blue 3"(76mm) to 2.5"(63mm)

Rubber Reducer



- With Standard Clamp -
- 8751S - Black 3"(76mm) - 2.5"(63mm)
- 8752S - Red 3"(76mm) - 2.5"(63mm)
- 8756S - Blue 3"(76mm) - 2.5"(63mm)
- 9541 - Black 3.5"(89mm) - 3"(76mm)
- 9761 - Black 4"(101mm) - 3"(76mm)
- 9766 - Blue 4"(101mm) - 3"(76mm)
- 9741 - Black 4"(101mm) - 3.5"(89mm)
- 9742 - Red 4"(101mm) - 3.5"(89mm)
- 9746 - Blue 4"(101mm) - 3.5"(89mm)

Vibration Joiner



- When the intake pipe needs to allow for movement of the engine
- 8422 - Black 3"(76mm) to 2.5"(63mm)
- 8421 - Black 3"(76mm) to 3"(76mm)

45° Rubber Bend



- 8461 - Black 3"(76mm) ID
- 8462 - Red 3"(76mm) ID
- 8466 - Blue 3"(76mm) ID

90° Rubber Bend



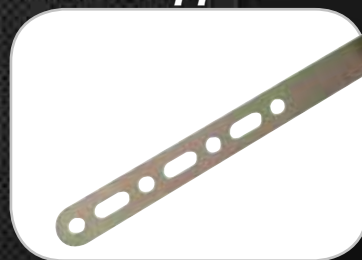
- 8441 - Black 3"(76mm) ID
- 8442 - Red 3"(76mm) ID
- 8446 - Blue 3"(76mm) ID

90° Rubber Bend



- Coupler With Clamps -
- 9781 - Black 4"(120mm) 90° Intake Coupler

Filter Support Bracket



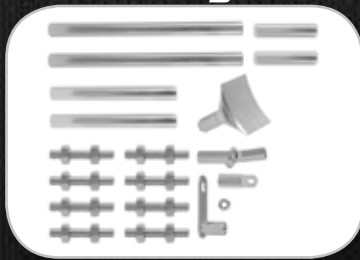
- 9039 - Chrome Finish

Filter Support Bracket



- Polished Alloy -
- 9402 - Suit 3"(76mm) OD Tubes
- 9702 - Suit 4"(102mm) OD Tubes

Intake Mounting Bracket



- 9701 - Universal Intake Mounting Bracket

Intake Mounting Bracket



- 8701S - Universal Bracket

**Mass Airflow
Meter Adaptor**

Bolt Holes
 $2\frac{3}{4}$ "(70mm) x $3\frac{5}{8}$ "(93mm)
 Metal with Chrome Finish. Bolts & Nyloc
 Nuts Included. Refer Applications Listing
9002 - Subaru. 3"(76mm) OD.

**Mass Airflow
Meter Adaptor**

Bolt Holes
 $2\frac{3}{8}$ "(60mm) x $4\frac{5}{16}$ "(112mm)
 Metal with Chrome Finish. Bolts & Nyloc
 Nuts Included. Refer Applications Listing
9004 - Mitsubishi. 3"(76mm) OD.

**Mass Airflow
Meter Adaptor**

Bolt Holes Adjustable
 Metal with Chrome Finish. Bolts & Nyloc
 Nuts Included. Refer Applications Listing
9006 - Nissan, Suzuki. 3"(76mm) OD.

**Mass Airflow
Meter Adaptor**

Bolt Holes
 $1\frac{7}{16}$ "(37mm) x $3\frac{1}{4}$ "(83mm)
 Metal with Chrome Finish. Bolts & Nyloc
 Nuts Included. Refer Applications Listing
9007 - Mazda, Ford. 3"(76mm) OD.

**Mass Airflow
Meter Adaptor**

Bolt Holes Adjustable
 Metal with Chrome Finish. Bolts & Nyloc
 Nuts Included. Refer Applications Listing
9008 - Nissan. 3"(76mm) OD.

**Mass Airflow
Meter Adaptor**

Bolt Holes
 $1\frac{7}{16}$ "(37mm) x $3\frac{1}{4}$ "(83mm)
 Metal with Chrome Finish. Bolts & Nyloc
 Nuts Included. Refer Applications Listing
9013 - Holden, Toyota. 3"(76mm) OD.

**Mass Airflow
Meter Adaptor**

Bolt Holes
 $1\frac{1}{2}$ "(39mm) x $3\frac{5}{16}$ "(84mm)
 Metal with Chrome Finish. Bolts & Nyloc
 Nuts Included. Refer Applications Listing
9017 - Holden. 3"(76mm) OD.

**Mass Airflow
Meter Adaptor**

Bolt Holes
 $2\frac{7}{8}$ "(73mm) x $3\frac{1}{2}$ "(88mm)
 Metal with Chrome Finish. Bolts & Nyloc
 Nuts Included. Refer Applications Listing
9018 - Ford. 3"(76mm) OD.

**Mass Airflow
Meter Adaptor**

Bolt Holes
 $1\frac{7}{8}$ "(48mm) x $3\frac{1}{8}$ "(80mm)
 Metal with Chrome Finish. Bolts & Nyloc
 Nuts Included. Refer Applications Listing
9096 - Nissan, Toyota. 3"(76mm) OD.

**Mass Airflow
Meter Adaptor**

Bolt Holes
 $1\frac{7}{16}$ "(37mm) x $3\frac{17}{64}$ "(83mm)
 Plastic & Angled. Refer Applications Listing
9030 - Holden, Toyota. 3"(76mm) OD.

**Mass Airflow
Meter Adaptor**

Bolt Holes
 $1\frac{7}{16}$ "(37mm) x $3\frac{17}{64}$ "(83mm)
 Plastic & Angled. Refer Applications Listing
9031 - Holden, Toyota. 3"(76mm) OD.

**Mass Airflow
Meter Adaptor**

Trapezium Bolt Holes
 $3\frac{1}{8}$ "(79mm) x $3\frac{1}{8}$ "(79mm)
 x $2\frac{15}{16}$ "(74mm)
 Metal suit. Refer Applications Listing
9043 - Commodore VS - VX. 6 cyl.
 3"(76mm) OD

Mass Airflow Meter Adaptor



Refer Applications Listing
9050 - Commodore VZ V8. 5.7 Litre
 4"(102mm) OD, Metal suit

Mass Airflow Meter Adaptor



Refer Applications Listing
9051 - Commodore VZ - VE V8. 6 Litre.
 4"(102mm) OD, Metal suit

Mass Airflow Meter Adaptor



Bolt Holes Adjustable
Refer Applications Listing
81413 - Polished Alloy Finish Universal.
 3"(76mm) OD

Mass Airflow Meter Adaptor



Bolt Holes
 $2\frac{3}{8}"(60mm) \times 4\frac{7}{16}"(112mm)$
Refer Applications Listing
9097 - Polished Alloy Finish Mitsubishi.
 4"(102mm) OD

Mass Airflow Meter Adaptor



Bolt Holes
 $2\frac{3}{8}"(60mm) \times 4\frac{7}{16}"(112mm)$
Refer Applications Listing
9097X - Suit Mitsubishi, Cast Alloy Finish.
 4 $\frac{1}{2}"(114mm)$ OD

Mass Airflow Meter Adaptor



Bolt Holes
 $3\frac{1}{2}"(89mm) \times 2\frac{29}{32}"(74mm)$
Refer Applications Listing
8145 - Suit Ford, Polished Alloy Finish.
 4"(102mm) OD

Mass Airflow Meter Adaptor



Bolt Holes
 $3\frac{57}{64}"(99mm) \times 3\frac{17}{64}"(83mm)$
Refer Applications Listing
8146 - Suit Ford Polished Alloy Finish.
 4"(102mm) OD

Filter Adaptors



Refer Applications Listing
9042 - Commodore VN - VR non-ecotech 6 cyl. Steel suit

Filter Adaptors



Refer Applications Listing
9001 - Chrome look pipe & Rubber Joiner with Clamps + Filter Support. 3"(76mm) OD, 60°

Air Sensor Mount Kit



- Chrome Polymer Finish -
8705 - Mount Kit fits many applications

MAF Adapt/Tuning Pipe



- Polished Alloy -
 3.9" (100mm) Long & Supplied with 4 Bolt Patterns
9405 - 3"(89mm) OD
9705 - 4"(102mm) OD

Vacuum / Sensor



- Adaptor Kit -
 Includes 1 of each: $\frac{5}{8}"$ + $\frac{7}{8}"$ holes saws,
 3x 10mm, 3x 5mm, 1x 13mm, 2x 16mm,
 1x 19mm fittings + 5 grammets
8711s - Multiple fittings included

Mass Airflow Meter Adaptor Application Listing



9096 -	Audi , A4	9008 -	Nissan Pulsar N14
9007 -	BMW 318i E30, E36	9006 -	Nissan Pulsar N14 GTIR 2L Turbo
9096 -	BMW Most others	9008 -	Nissan Pulsar N15 (Most)
9030 -	Bosch Airflow Meter Angled Adaptor	9008 -	Nissan Pulsar SSS
9031 -	Bosch Airflow Meter Straight Adaptor	9096 -	Nissan Skyline RB30 2.4L
9007 -	Falcon 6cyl XF EFI	9096 -	Nissan Skyline RB32 2L
9018 -	Falcon V8 EB-BA (using 3" Neck Filter)	9096 -	Nissan Skyline RB32 2.6L Twin Turbo
8145** -	Falcon V8 EB-BA with MAF Boltholes 3.5" x 2.9" (using 4" Neck Filter)	9006 -	Nissan Skyline RB33 2.5L
8146** -	Falcon V8 EB-BA with MAF Boltholes 3.9" x 3.25" (using 4" Neck Filter)	9096 -	Nissan Skyline RB33 2.6L Twin Turbo
9018 -	Ford Escape	9006 -	Nissan Skyline RB34 2.5L
9007 -	Ford Laser KE-KH, TX3	9096 -	Nissan Skyline RB34 2.6L Twin Turbo
9017 -	Holden Commodore VK EFI	9008 -	Nissan 180SX S13 1.8L Non Turbo
9013 -	Holden Commodore VL RB30 Eng	9006 -	Nissan 180SX S13 1.8L Turbo
9042 -	Holden Commodore VN-VS 6cyl	9008 -	Nissan 180SX S13 2L Non Turbo
9043 -	Holden Commodore VS-VX 6cyl	9006 -	Nissan 180SX S13 2L Turbo
9001 -	Holden Commodore VN-VS V8	9008 -	Nissan 200SX S14 2L Non Turbo
9050** -	Holden Commodore VZ V8 5.7Litre only	9006 -	Nissan 200SX S14 2L Turbo
9051 -	Holden Commodore VZ-VE V8 6Litre only	9008 -	Nissan 200SX S15 2L Non Turbo
9007 -	Mazda Astina	9006 -	Nissan 200SX S15 2L Turbo
9007 -	Mazda MX5	9096 -	Nissan 300ZX Z32 3L Non Turbo
9007 -	Mazda TX3	9096 -	Nissan 300ZX Z32 3L Twin Turbo
9097/9004* -	Mitsubishi Eclipse Turbo	9096 -	Opel Corsa
9097/9004* -	Mitsubishi Galant	9096 -	Subaru 94-98 RX.RS, WRX
9097/9004* -	Mitsubishi Lancer 1.8 (Most)	9002 -	Subaru 99-00 WRX
9097/9004* -	Mitsubishi Magna 4-6cyl	9006 -	Suzuki GTI
9097/9004* -	Mitsubishi Mirage	9096 -	Toyota Camry 88-91 (Some)
9097/9004* -	Mitsubishi Pajero	9013 -	Toyota Celica
9008 -	Nissan Bluebird EFI	9013 -	Toyota Cressida
9008 -	Nissan EXA	9013 -	Toyota Lexus 2.5L V6 Twin Turbo
9008 -	Nissan NX	9013 -	Toyota Soarer 2.5L V6 Twin Turbo
9008 -	Nissan NXR	9013 -	Toyota Supra 3L Non Turbo
9097/9004* -	Nissan Patrol	9013 -	Toyota Supra 3L Turbo
		9096 -	VW Golf

* 9097/9004. This is where either adaptor can be fitted. It is recommended to use 9097 with 4" (102mm) neck filter or 9097X with 4 1/2" (114mm) neck filter, as 9004 requires 3" (76mm) filter, and restricts airflow

** 9048 Requires 3 1/2" (89mm) Neck Filter, 8145, 8146 + 9050 Require 4" Neck Filter.

Performance Intakes

Modern Muscle Intake



- Commodore VT-VZ 5.7 -

High Performance Filter Kit. Comes with Long-Life Washable TFI Filter & Polished Alloy Intake with Shield

8938T - Commodore VT-VZ 5.7

8939T - As above but with Mafless tune

Modern Muscle Intake



- Commodore VE V8 LS -

High Performance Filter Kit. Comes with Long-Life Washable TFI Filter & Polished Alloy Intake with Shield

9907AU - 6.0 Litre Series 1 & 2, June 2006 onwards

HPR9892 - Replacement Filter



Need Air Induction?
Think **TFI Racing**

Single Plenum

- 900 CFM RATING -

9849 - Polished Aluminium finish. 4" (102mm) Single Plenum. Suit to fit Holley Carburettor & TBI Throttle Bodies with 5 1/8" (130mm) Neck, 3 1/2" (89mm) tall. Measures 9 1/4" (235mm) from mounting hole to Inlet. (Nut not Included)

Dual Plenum

- 1375 CFM RATING -

9859 - Polished Aluminium finish. 4" (102mm) Dual Plenum. Suit to fit Holley Carburettor & TBI Throttle Bodies with 5 1/8" (130mm) Neck, 3 1/2" (89mm) tall. Measures 8 1/8" (206mm) from mounting hole to Inlet. (Nut not included)

Single Plenum Low Profile

- 675 CFM RATING -

98499 - Polished Aluminium finish. 4" (102mm) Single Plenum. Suit to fit Holley Carburettor & TBI Throttle Bodies with 5 1/8" (130mm) Neck, 2 3/8" (61mm) tall, 9 1/4" (235mm) from mounting hole to Inlet. (Nut not Included)

Dual Plenum Low Profile

- 1325 CFM RATING -

98599 - Polished Aluminium finish. 4" (102mm) Dual Plenum. Suit to fit Holley Carburettor & TBI Throttle Bodies with 5 1/8" (130mm) Neck, 2 3/8" (61mm) Tall. Measures 18 1/2" (470mm) from Inlet to Inlet. (Nut not included)

DUAL Plenum Fabricated

- 1325 CFM RATING -

9824S - Bright Anodised Alloy finish. Inlets are 120° apart. Sheet Metal Fabricated look to fit Holley Carburettor & TBI Throttle Bodies with 5 1/8" (130mm) Neck. Ultra Low Profile has 2" (51mm) height above the flange & 4" (102mm) OD Outlets. (Nut not Included)

DUAL Plenum Fabricated

- 1325 CFM RATING -

9834 - Bright Anodised Alloy finish. Inlets are 135° apart. Sheet Metal Fabricated look to fit Holley Carburettor and TBI Throttle Bodies with 5 1/8" (130mm) Neck. Ultra Low Profile has 2" (51mm) height above the flange & 4" (102mm) OD Outlets. (Nut not Included)

DUAL Plenum Fabricated

- 1325 CFM RATING -

9854 - Bright Anodised Alloy finish. Inlets are 150° apart. Sheet Metal Fabricated look to fit Holley Carburettor and TBI Throttle Bodies with 5 1/8" (130mm) Neck. Ultra Low Profile has 2" (51mm) height above the flange and 4" (102mm) OD Outlets. (Nut not Included)

DUAL Plenum Fabricated

- 1400 CFM RATING -

9804S - Bright Anodised Alloy finish. Inlets are 180° apart. Sheet Metal Fabricated look to fit Holley Carburettor and TBI Throttle Bodies with 5 1/8" (130mm) Neck. Ultra Low Profile has 2" (51mm) height above the flange and 4" (102mm) OD Outlets. (Nut not Included)

14" Airbox Singlet Outlet Low Profile

- 975 CFM RATING -

98618 - Chrome finish, single Inlet. 4" (102mm) Outlet, suit Holley with 13 1/2" (343mm) x 3" (76mm) Highflow cotton washable Filter. Designed for Maximum Bonnet Clearance. 2 3/8" (61mm)" Tall. (Nut not Included)

HPR8699 - 12.6" (320mm) x 3" (76mm) Replacement Filter

14" Airbox 120° Low Profile



- 1225 CFM RATING -

- 98638** -
- Chrome Finish
 - Inlets 4" OD 120° apart
 - Suit Holley inlet 5 1/8"
 - 2 3/8" Tall
 - Nut not included (4208 Suggested)
 - Includes high flow cotton washable filter
 - Designed for maximum bonnet clearance

HPR8699 - 12.6"(320mm) x 3"(76mm)
Replacement Filter

14" Airbox 135° Low Profile



- 1225 CFM RATING -

- 98648** -
- Chrome Finish
 - Inlets 4" OD, 135° apart
 - Suit Holley inlet 5 1/8"
 - 2 3/8" Tall
 - Nut not included (4208 Suggested)
 - Includes high flow cotton washable filter
 - Designed for maximum bonnet clearance

HPR8699 - 12.6"(320mm) x 3"(76mm)
Replacement Filter

14" Airbox 150° Low Profile



- 1225 CFM RATING -

- 98658** -
- Chrome Finish
 - Inlets 4" OD, 150° apart
 - Suit Holley inlet 5 1/8"
 - 2 3/8" Tall
 - Nut not included (4208 Suggested)
 - Includes high flow cotton washable filter
 - Designed for maximum bonnet clearance

HPR8699 - 12.6"(320mm) x 3"(76mm)
Replacement Filter

14" Airbox 180° Low Profile



- 1225 CFM RATING -

- 98628** -
- Chrome Finish
 - Inlets 4" OD 180° apart
 - Suit Holley inlet 5 1/8"
 - 2 3/8" Tall
 - Nut not included (4208 Suggested)
 - Includes high flow cotton washable filter
 - Designed for maximum bonnet clearance

HPR8699 - 12.6"(320mm) x 3"(76mm)
Replacement Filter

16" Airbox Alloy Single Inlet



- 900 CFM RATING -

- 98678** -
- Chrome Finish
 - Inlets 4" OD
 - Suit Holley inlet 5 1/8"
 - 3 3/4" Tall
 - Nut not included (4208 Suggested)
 - Includes high flow cotton washable filter
 - Recessed base may require spacer to clear carburetor

48022 - 14"(356mm) x 3"(76mm)
Replacement Filter

16" Airbox Alloy 120°



- 1300 CFM RATING -

- 98698** -
- Chrome Finish
 - Inlets 4" OD 120° apart
 - Suit Holley inlet 5 1/8"
 - 3 3/4" Tall
 - Nut not included (4208 Suggested)
 - Includes high flow cotton washable filter
 - Recessed base may require spacer to clear carburetor

HPR0138 - 14"(356mm) x 4"(102mm)
Replacement Filter

16" Airbox Alloy 135°



- 1300 CFM RATING -

- 98668** -
- Chrome Finish
 - Inlets 4" OD 135° apart
 - Suit Holley inlet 5 1/8"
 - 3 3/4" Tall
 - Nut not included (4208 Suggested)
 - Includes high flow cotton washable filter
 - Recessed base may require spacer to clear carburetor

HPR0138 - 14"(356mm) x 4"(102mm)
Replacement Filter

16" Airbox Alloy 150°



- 1300 CFM RATING -

- 98708** -
- Chrome Finish
 - Inlets 4" OD 150° apart
 - Suit Holley inlet 5 1/8"
 - 3 3/4" Tall
 - Nut not included (4208 Suggested)
 - Includes high flow cotton washable filter
 - Recessed base may require spacer to clear carburetor

HPR0138 - 14"(356mm) x 4"(102mm)
Replacement Filter

16" Airbox Alloy 180°



- 1300 CFM RATING -

- 98688** -
- Chrome Finish
 - Inlets 4" OD 180° apart
 - Suit Holley inlet 5 1/8"
 - 3 3/4" Tall
 - Nut not included (4208 Suggested)
 - Includes high flow cotton washable filter
 - Recessed base may require spacer to clear carburetor

HPR0138 - 14"(356mm) x 4"(102mm)
Replacement Filter

Oval Inlet Air Cleaner Low Profile



Hi-Tech polished all aluminium fabricated air box

98801 - Chrome finish, single oval inlet.

- Fits all carburetors / TBI with 5¹/₈"(131mm) neck
- Spectre HPR™ filter included
- Retro style oval inlet design
- Drop base design - only 2³/₈"(61mm) clearance needed between top of carb and hood (Nut not Included)

HPR8699 - 12.6"(320mm) x 3"(76mm) Replacement Filter

Oval Inlet Air Cleaner Low Profile



Hi-Tech polished all aluminium fabricated air box

98881 - Chrome finish, dual 180° oval inlets.

- Fits all carburetors / TBI with 5¹/₈"(131mm) neck
- Spectre HPR™ filter included
- Retro style oval inlet design
- Drop base design - only 2³/₈"(61mm) clearance needed between top of carb and hood (Nut not Included)

HPR8699 - 12.6"(320mm) x 3"(76mm) Replacement Filter

Oval Inlet Air Cleaner Low Profile



Hi-Tech polished all aluminium fabricated air box

98891 - Chrome finish, dual 90° oval inlets.

- Fits all carburetors / TBI with 5¹/₈"(131mm) neck
- Spectre HPR™ filter included
- Retro style oval inlet design
- Drop base design - only 2³/₈"(61mm) clearance needed between top of carb and hood (Nut not Included)

HPR8699 - 12.6"(320mm) x 3"(76mm) Replacement Filter

Dual Intake



- Polished Alloy -

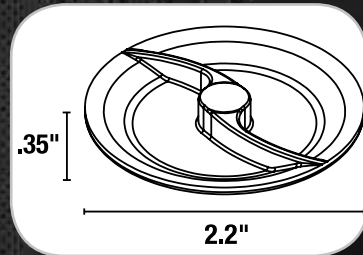
64280 - Dual Air intake suit Holley

Air Cleaner Nut



- Ultra Low Profile Nut -

4208 - Designed for use with low-profile air boxes and plenums.
Thread: 1/4 - 20 threads



Universal Inline Air Boxes



- 450 CFM RATING -
Polished Aluminium Finish

9833S - 3"(76mm) Inlet and Outlets. 10¹/₈"(257mm) Length & 4"(102mm) Diameter. Comes with High Flow Lifetime Filter

HRP9833 - Replacement Filter

Universal Inline Air Boxes



- 600 CFM RATING -
Polished Aluminium Finish

9832 - 4"(102mm) inlet and Outlets. 10¹/₈"(257mm) Length & 5"(127mm) Diameter. Comes with High Flow Lifetime Filter

HRP9832 - Replacement Filter

Universal Inline Air Boxes



- 700 CFM RATING -
Polished Aluminium Finish

9831 - 4"(102mm) inlet and Outlets. 10³/₈"(258mm) Length & 6¹/₈"(156mm) Diameter. Comes with High Flow Lifetime Filter

HRP9831 - Replacement Filter

Modern Muscle Cold Air Intakes



- Single Plenum Kit -

1x Single Plenum 4" (102mm), **1x** Billet Air Cleaner Nut + Stud, **1x** Straight Alloy Pipes 6" (150mm) long, **1x** Straight Alloy Pipes 4" (100mm) long, **2x** 60° Alloy Bends, **1x** Filter Support Bracket Kits, **4x** Rubber Connectors, **8x** HD Hose Clamps, **1x** 6" (150mm) Long Filters.

91002 - Red Filter with 4" (102mm) Piping Kit

91006 - Blue Filter with 4" (102mm) Piping Kit

91008 - Chrome Filter with 4" (102mm) Piping Kit

92002 - Red Filter with 3" (76mm) Piping Kit

92006 - Blue Filter with 3" (76mm) Piping Kit

92008 - Chrome Filter with 3" (76mm) Piping Kit

Modern Muscle Cold Air Intakes



- Dual Plenum Kit -

1x Dual Plenum 4" (102mm), **1x** Billet Air Cleaner Nut + Stud, **2x** Straight Alloy Pipes 6" (150mm) long, **2x** 22° Alloy Bends, **2x** Filter Support Bracket Kits, **4x** Rubber Connectors, **8x** HD Hose Clamps, **2x** 10" (254mm) Long Filters.

95002 - Red Filter with 4" (102mm) Piping Kit

95006 - Blue Filter with 4" (102mm) Piping Kit

95008 - Chrome Filter with 4" (102mm) Piping Kit

96002 - Red Filter with 3" (76mm) Piping Kit

96006 - Blue Filter with 3" (76mm) Piping Kit

96008 - Chrome Filter with 3" (76mm) Piping Kit

Inline Air Box



- Single Plenum Kit -

900 CFM RATING

1x 4" (102mm) Duct, **2x** Duct cuffs, **2x** Hose clamps, **1x** Single Plenum, **2x** T-Bolt clamps, **1x** Duct mounting plate, **1x** T-Bolt clamp bracket, **1x** Inline Air Box with filter,

743 - Kit With Black Duct

7438 - Kit With Chrome Duct

Inline Air Box Kits



- Low Profile Single Plenum -

675 CFM RATING

1x 4" (102mm) Duct, **1x** Inline air box, **2x** Hose clamps, **2x** T-Bolt clamps, **1x** Low profile single plenum, **2x** Duct cuffs, **1x** Duct mounting plate, **1x** T-Bolt clamp bracket.

753 - Kit With Black Duct

7538 - Kit With Chrome Duct

Inline Air Box Kits Welded Tubes



- Single Plenum 45° x 90° -

900 CFM RATING, Filter Not Included

1x Single plenum, **1x** 45° x 90° side weld, **2x** Collar clamps.

741 - Kit with 45° & 90° Welded Bend

Inline Air Box Kits Welded Tubes



- Single Plenum 22° x 90° -

900 CFM RATING, Filter Not Included

1x Single plenum, **1x** 22° x 90° side weld, **2x** Collar clamps.

744 - Kit with 22° & 90° Welded Bend

Inline Air Box Kits

- **Low Profile Single Plenum 22° x 90°** -
675 CFM RATING. Filter Not Included

1x 22° bend, 1x 90° bend, 1x Low profile Single plenum,
1x Collar clamps

754 - Kit with 22° + 90° Bend

Inline Air Box Kits

- **Low Profile Single Plenum 45° x 90°** -
675 CFM RATING. Filter Not Included

1x 45° bend, 1x 90° bend, 1x Low profile Single plenum,
2x Collar clamps

751 - Kit with 45° + 90° Welded Bend

Inline Air Box Kits

- **Dual Plenum** -

1375 CFM RATING. Filter Not Included

2x 4" (102mm) Duct, 1x Dual plenum, 2x Inline air box,
4x Hose clamps, 4x T-Bolt clamps, 4x Duct cuffs,
2x Duct mounting plate, 2x T-Bolt clamp bracket.

762 - Kit With Black Duct

7628 - Kit With Chrome Duct

Inline Air Box Kits

- **Dual Plenum** -

1375 CFM RATING. Filter Not Included

1x Dual plenum, 2x 45° Aluminum tube, 2x Collar clamps.

761 - Kit with 45° tubes

Inline Air Box Kits

- **Low Profile Dual Plenum** -

1225 CFM RATING. Filter Not Included

2x 4" (102mm) Duct, 2x Inline air box, 4x Hose clamps, 4x T-Bolt
clamps, 1x Low profile dual plenum, 4x Duct cuffs,
2x Duct mounting plate, 2x T-Bolt clamp bracket.

773 - Kit With Black Duct

7739 - Kit With Chrome Duct

Inline Air Box Kits

- **Low Profile Dual Plenum** -

1225 CFM RATING. Filter Not Included

2x 4" (102mm) Duct, 4x Collar clamps, 2x Hose clamps,
2x T-Bolt clamps, 1x Low profile dual plenum, 2x Duct cuffs,
2x Duct mounting plate, 2x T-Bolt clamp bracket,
2x Inline air box with filter

772 - Kit with 1x 45° bend and 1x 90° bend

Inline Air Box Kits Welded Tubes



*- Low Profile Dual Plenum -
Filter Not Included*

2x Collar clamps, **1x** Low Profile Dual Plenum, **2x** 45° bend,
2x 90° bend
771 - Kit

2x Collar clamps, **1x** Low Profile Dual Plenum, **2x** 22° bend,
2x 90° Bend
774 - Kit

16" 120° Air Box Kits



- 1300 CFM RATING -

1x 120° Air Box with filter, **2x** Duct mounts, **2x** 4"(102mm) Black ducts, **4x** Duct cuffs.

7119 - Chrome Air Box (Black Duct)
7129 - Chrome Air Box (Chrome Duct)

16" 180° Air Box Kits



- 1300 CFM RATING -

1x 180° Air Box with filter, **2x** Duct mounts, **2x** 4" Black ducts,
4x Duct cuffs.

7169 - Chrome Air Box (Black Duct)
7179 - Chrome Air Box (Chrome Duct)

Various Installed Intake Systems



Plain Scoop



- 13 1/2" Long -
Polished Smooth Alloy

5245 - Suit Single Holley Carburettor.
5 1/8" neck x 9 1/2" wide x 4 1/2"
tall, with inlet screen & bezel

Finned Scoop



- 13 1/2" Long -
Polished Finned Alloy

5246 - Suit Single Holley Carburettor.
5 1/8" neck x 9 1/2" wide x 4 1/2"
tall, with inlet screen & bezel

Finned Scoop



- 13 1/2" Long -
Polished Full Finned Alloy

5247 - Suit Single Holley Carburettor.
5 1/8" neck x 9 1/2" wide x 4 1/2"
tall, with inlet screen & bezel

Finned Scoop



- 20" Long -
Polished Full Finned Alloy

5235 - Suit Single Holley Carburettor
5 1/8" neck x 9 1/2" wide x 4 1/2"
tall, with inlet screen & bezel

5233 - Suit Dual Holley Carburettor
5 1/8" neck x 9 1/2" wide x 4 1/2"
tall, with inlet screen & bezel

Plain Scoop



- 20" Long -
Polished Plain Alloy

5339S - Suit Single and Dual Holley
Carburettor.
5 1/8" neck x 12 1/2" wide x
4 5/16" tall.

Finned Scoop



- 20" Long -
Polished Finned Alloy

5239 - Suit Single and Dual Holley
Carburettor.
5 1/8" neck x 12 1/2" wide x
4 5/16" tall.

Shoot Gun Scoop



- 20 1/2" Long -
Polished Finned Alloy

5234 - Suit Holley Carb Single or dual.
5 1/8" neck x 10 1/4" wide x 6" tall

Shoot Gun Scoop



- 20 1/2" Long -
Polished Plain Alloy

5236 - Suit Holley Carb Single or dual.
5 1/8" neck x 10 1/4" wide x 6" tall



Superflow Oval Air Cleaner



- Holley Single Carb -
2" (51mm) Tall

40808 - Washable - 12"(305mm) long x
8 1/4"(51mm) wide

Polished Alloy Oval Air Cleaner



- Holley Single Carb -
Flamed

12"(305mm) x 8 1/4"(210mm) x 2"(51mm)

- 4917 - Paper Filter
- 49172 - Red Cotton Filter
- 49176 - Blue Cotton Filter
- 49171 - Black Cotton Filter

Polished Alloy Oval Air Cleaner



- Holley Single Carb -
Raised Flames

12"(305mm) x 8 1/4"(210mm) x 2"(51mm)

- 40810 - Paper Filter
- 40866 - Red Cotton Filter
- 40867 - Blue Cotton Filter
- 40888 - Black Cotton Filter

Polished Alloy Oval Air Cleaner



- Holley Single Carb -
Red Painted Raised Flames

12"(305mm) x 8 1/4"(210mm) x 2"(51mm)

- 40811 - Paper Filter
- 40889 - Red Cotton Filter
- 40890 - Blue Cotton Filter
- 40891 - Black Cotton Filter

Polished Alloy Oval Air Cleaner



- Holley Single Carb -
Ball Milled

12"(305mm) x 8 1/4"(210mm) x 2"(51mm)

- 4910 - Paper Filter
- 49102 - Red Cotton Filter
- 49106 - Blue Cotton Filter
- 49101 - Black Cotton Filter

Polished Alloy Oval Air Cleaner



- Holley Single Carb -
Finned

12"(305mm) x 8 1/4"(210mm) x 2"(51mm)

- 40801 - Paper Filter
- 40868 - Red Cotton Filter
- 40869 - Blue Cotton Filter
- 40870 - Black Cotton Filter

Polished Alloy Oval Air Cleaner



- Holley Single Carb -
Finned

12"(305mm) x 8 1/4"(210mm) x 2"(51mm)

- 40816 - Paper Filter
- 40817 - Red Cotton Filter
- 40884 - Blue Cotton Filter
- 40885 - Black Cotton Filter

Polished Finned Oval Air Cleaner



- Holley Single Carb -
Finned

12"(305mm) x 8"(204mm) x 2"(51mm)

- 40832 - Paper Filter
- 40833 - Red Cotton Filter
- 40871 - Blue Cotton Filter
- 40872 - Black Cotton Filter

Polished Alloy Oval Air Cleaner



- Holley Single Carb -
Smooth

12"(305mm) x 8 1/4"(210mm) x 2"(51mm)

- 4916 - Paper Filter
- 49162 - Red Cotton Filter
- 49166 - Blue Cotton Filter
- 49161 - Black Cotton Filter

Superflow Oval Air Cleaner



- Holley Single Carb -
2" (51mm) Tall

40809 - Washable - 15"(381mm) long x
8 1/4"(51mm) wide

Polished Alloy Oval Air Cleaner



- Holley Single Carb -
Flamed

15"(381mm) x 8 1/4"(210mm) x 2"(51mm)
4926 - Paper Filter
49262 - Red Cotton Filter
49266 - Blue Cotton Filter
49261 - Black Cotton Filter

Polished Alloy Oval Air Cleaner



- Holley Single Carb -
Ball Milled

15"(381mm) x 8 1/4"(210mm) x 2"(51mm)
4911 - Paper Filter
49112 - Red Cotton Filter
49116 - Blue Cotton Filter
49111 - Black Cotton Filter

Polished Alloy Oval Air Cleaner



- Holley Single Carb -
Finned

15"(381mm) x 8 1/4"(210mm) x 2"(51mm)
40814 - Paper Filter
40815 - Red Cotton Filter
40882 - Blue Cotton Filter
40883 - Black Cotton Filter

Polished Alloy Oval Air Cleaner



- Holley Single Carb -
Finned

15"(381mm) x 8 1/4"(210mm) x 2"(51mm)
40818 - Paper Filter
40819 - Red Cotton Filter
40886 - Blue Cotton Filter
40887 - Black Cotton Filter

Polished Finned Oval Air Cleaner



- Holley Single Carb -
Finned

15"(305mm) x 8 1/4"(204mm) x 2"(51mm)
40834 - Paper Filter
40835 - Red Cotton Filter
40873 - Blue Cotton Filter
40874 - Black Cotton Filter

Polished Alloy Oval Air Cleaner



- Holley Single Carb -
Smooth

15"(381mm) x 8 1/4"(210mm) x 2"(51mm)
4925 - Paper Filter
49252 - Red Cotton Filter
49256 - Blue Cotton Filter
49251 - Black Cotton Filter

Polished Alloy Oval Air Cleaner



- Holley Dual Carb -
Flamed

19"(483mm) x 8 1/4"(210mm) x 2"(51mm)
6222S - Paper Filter

Polished Alloy Oval Air Cleaner



- Holley Dual Carb -
Ball Milled

19"(483mm) x 8 1/4"(210mm) x 2"(51mm)
6221 - Paper Filter

Polished Alloy Oval Air Cleaner



- Holley Dual Carb -
Smooth
19"(483mm) x 8 1/4"(210mm) x 2"(51mm)
6220 - Paper Filter

Cobra Air Cleaner



- Holley Carb -
21"(533mm) x 10"(254mm) x 2"(51mm)
Black Alloy Top Paper Filter.
Fits Carburetors with 5/8"(130mm) Neck
40805 - Black Alloy Single Carb
40807 - Black Alloy Dual Carb

Cobra Air Cleaner



- Holley Carb -
21"(533mm) x 10"(254mm) x 2"(51mm)
Alloy or Chrome Steel Top Paper Filter.
Fits Carburetors with 5/8"(130mm) Neck
40804 - Chrome Steel Single Carb
40806 - Chrome Steel Dual Carb

Oval Chrome Steel Air Cleaner



- Holley Single Carb -
Smooth
12"(305mm) x 8"(204mm) x 2"(51mm)
40800 - Paper Filter
40875 - Red Cotton Filter
40876 - Blue Cotton Filter
40877 - Black Cotton Filter

Triangular Air Cleaner



- Chrome Steel -
14"(355mm) x 3"(76mm) Tall.
Fits all Carbs with 5/8"(130mm) Neck
4750 - Paper Filter

Velocity Stack Air Cleaner



4912 - Fits all Carbs with
5 1/8"(130mm) Neck

TRI Style Air Cleaner



4800 - Fits all Carbs with
5 1/8"(130mm) Neck

Dish Top Air Cleaner



- Chrome 4"(102mm) Top -
4790 - Suit both 2 5/16"(59mm) +
2 5/8"(67mm) Necks.
2"(51mm) High Element

Flame Arrestor



- Chrome 4"(102mm) Top -
0090 - Brass Gauze fits all Carbs with
5 1/8"(130mm) Neck

Old School Air Cleaner



- Chrome 4"(102mm) Wide -
2338 - Suit 2 5/8"(67mm) carb,
2 7/8"(73mm) Tall.

Old School Air Cleaner



- Chrome 4"(102mm) Wide -
2339 - Suit 2 5/8"(67mm) carb,
2 7/8"(73mm) Tall.



Rectangle Stainless Steel Filters

Paper Filters

304 Stainless Steel Top and Base

Width 4¹/₄"(108mm), Height 2¹/₈"(54mm), Length 6³/₄"(172mm)

Part Number	Style <i>Webber</i>	Element Colour	Element Style
426-341 -	40 DCN	White	Paper
426-401 -	40 DCOE	White	Paper
426-801 -	40 DFI	White	Paper
426-451 -	45/48 DCOE	White	Paper
426-331 -	DFV, DFVA	White	Paper
426-471 -	DGV, DGAV	White	Paper
426-551 -	DCB, DCD	White	Paper
426-731 -	DCNF	White	Paper
426-761 -	IDF	White	Paper
426-811 -	DMTR	White	Paper
426-821 -	ADF, ADM	White	Paper



Cotton High Flow Washable Filters

304 Stainless Steel Top and Base

Width 4¹/₄"(108mm), Height 2¹/₈"(54mm), Length 6³/₄"(172mm)

Part Number	Style <i>Webber</i>	Element Colour	Element Style
426-341W -	40 DCN	White	Cotton
426-401W -	40 DCOE	White	Cotton
426-801W -	40 DFI	White	Cotton
426-451W -	45/48 DCOE	White	Cotton
426-331W -	DFV, DFVA	White	Cotton
426-471W -	DGV, DGAV	White	Cotton
426-551W -	DCB, DCD	White	Cotton
426-731W -	DCNF	White	Cotton
426-761W -	IDF	White	Cotton
426-811W -	DMTR	White	Cotton
426-821W -	ADF, ADM	White	Cotton



Rectangle Stainless Steel Filters

Paper Filters

304 Stainless Steel Top and Base

Width 4¹/₄"(108mm), Length 6³/₄"(172mm)

Part Number	Height		Style <i>Webber</i>	Element Colour	Element Style
	<i>Imperial</i>	<i>Metric</i>			
436-471 -	2 ¹ / ₈ "	54mm	DGV, DGAV	White	Paper
436-761 -	2 ¹ / ₈ "	54mm	IDF	White	Paper
436-481 -	2 ¹ / ₈ "	54mm	IDA	White	Paper

Part Number	Height		Style <i>Webber</i>	Element Colour	Element Style
	<i>Imperial</i>	<i>Metric</i>			
438-471 -	4 ⁵ / ₁₆ "	110mm	DGV, DGAV	White	Paper
438-761 -	4 ⁵ / ₁₆ "	110mm	IDF	White	Paper
438-481 -	4 ⁵ / ₁₆ "	110mm	IDA	White	Paper



Round 5 1/2" (140mm) Stainless Steel Filters

Paper Filters

304 Stainless Steel Top and Bottom (except clamp on bases which are Spun Mild Steel)

Part Number	Application	Element Colour	Element Style
416-021 -	S.U. 1 1/4" (32mm)	White	Paper
416-024/1 -	S.U. 1 1/4" (32mm) offset	White	Paper
416-031 -	S.U. 1 1/2" (38mm)	White	Paper
416-034/1 -	S.U. 1 1/2" (38mm) offset	White	Paper
416-041 -	S.U. 1 3/4" (44mm)	White	Paper
416-051 -	S.U. 2" (51mm)	White	Paper
416-751 -	S.U. HIF6	White	Paper
416-191 -	Stromberg 150 CD	White	Paper
416-711 -	Stromberg 175 CDSE	White	Paper
416-351 -	1 23/32" (44mm) neck clamp on	White	Paper
416-071 -	1 13/16" (46mm) neck clamp on	White	Paper
416-094/1 -	2 1/32" (52mm) neck clamp on offset	White	Paper
416-101 -	2 5/16" (59mm) neck clamp on	White	Paper
416-311 -	2 23/64" (60mm) neck clamp on	White	Paper
416-381 -	2 3/8" (60mm) neck centre stud	White	Paper
416-231 -	2 1/2" (64mm) neck clamp on	White	Paper
416-221 -	2 1/2" (64mm) neck centre stud	White	Paper
416-121 -	2 19/32" (66mm) neck clamp on	White	Paper
416-111 -	2 5/8" (67mm) neck clamp on	White	Paper
416-201 -	2 5/8" (67mm) neck centre stud	White	Paper
416-211 -	2 3/4" (70mm) neck clamp on	White	Paper
416-161 -	3 9/64" (80mm) neck clamp on	White	Paper



Cotton High Flow Washable Filters

304 Stainless Steel Top and Bottom (except clamp on bases which are Spun Mild Steel)

Part Number	Application	Element Colour	Element Style
416-021W -	S.U. 1 1/4" (32mm)	White	Cotton
416-024/1W -	S.U. 1 1/4" (32mm) offset	White	Cotton
416-031W -	S.U. 1 1/2" (38mm)	White	Cotton
416-034/1W -	S.U. 1 1/2" (38mm) offset	White	Cotton
416-041W -	S.U. 1 3/4" (44mm)	White	Cotton
416-051W -	S.U. 2" (51mm)	White	Cotton
416-751W -	S.U. HIF6	White	Cotton
416-191W -	Stromberg 150 CD	White	Cotton
416-711W -	Stromberg 175 CDSE	White	Cotton
416-351W -	1 23/32" (44mm) neck clamp on	White	Cotton
416-071W -	1 13/16" (46mm) neck clamp on	White	Cotton
416-094/1W -	2 1/32" (52mm) neck clamp on offset	White	Cotton
416-101W -	2 5/16" (59mm) neck clamp on	White	Cotton
416-311W -	2 23/64" (60mm) neck clamp on	White	Cotton
416-381W -	2 3/8" (60mm) neck centre stud	White	Cotton
416-231W -	2 1/2" (64mm) neck clamp on	White	Cotton
416-221W -	2 1/2" (64mm) neck centre stud	White	Cotton
416-121W -	2 19/32" (66mm) neck clamp on	White	Cotton
416-111W -	2 5/8" (67mm) neck clamp on	White	Cotton
416-201W -	2 5/8" (67mm) neck centre stud	White	Cotton
416-211W -	2 3/4" (70mm) neck clamp on	White	Cotton
416-161W -	3 9/64" (80mm) neck clamp on	White	Cotton



Replacement Clips

Part Number	Sizes
409-5260-4 -	1 3/4" (45mm) set 4
409-5290-4 -	2 3/16" (55mm) set 4
409-5300-4 -	3 1/16" (78mm) set 4
409-5310-4 -	4 5/16" (110mm) set 4



Round 6³/₈"



- 2" (51mm) High -
Chrome top, Paper Filter

- 446-101 - 2⁵/₁₆" (59mm) Stromberg
- 446-111 - 2⁵/₈" (67mm) Stromberg
- 446-921 - 5¹/₈" (130mm) Holley

Round 6³/₈"



- 2¹/₂" (64mm) High -
Red Cotton Washable Filter

- 47812 - 2⁵/₁₆" (59mm) Stromberg
- 47822 - 2⁵/₈" (67mm) Stromberg
- 47802 - 5¹/₈" (130mm) Holley

Round 6³/₈"



- 3" (76mm) High -
Chrome top, Paper Filter

- 447-101 - 2⁵/₁₆" (59mm) Stromberg
- 447-111 - 2⁵/₈" (67mm) Stromberg
- 447-921 - 5¹/₈" (130mm) Holley

Round 8³/₄"



- 2³/₁₆" (55mm) High -
304 Stainless Steel Tops, Paper Filter

- 486-101 - 2⁵/₁₆" (59mm) neck clamp on
- 486-381 - 2³/₈" (60mm) neck centre stud
- 486-221 - 2¹/₂" (64mm) neck centre stud
- 486-111 - 2⁵/₈" (67mm) neck clamp on
- 486-921 - 5¹/₈" (130mm) Holley
- 486-501 - Varajet Commodore
- 486-821 - Weber ADM, ADF
- 486-551 - Weber DCD, DCB, DCS
- 486-331 - Weber DFV, DFB, DFE

Round 9"



- 2" (51mm) High -
Chrome Top, Paper Filter

- 456-101 - 2⁵/₁₆" (59mm) Stromberg
- 456-111 - 2⁵/₈" (67mm) Stromberg
- 456-161 - 3¹/₈" (80mm) Nikki/Gemini
- 456-921 - 5¹/₈" (130mm) Holley
- 456-371 - Weber DFV/DFAV
- 456-471 - Weber DGA/DGAV
- 456-821 - Weber ADM/Falcon XE-F

Round 9"



- 2" (51mm) High -
Chrome Top, Red Cotton Washable Filter

- 47712 - 2⁵/₁₆" (59mm) Stromberg
- 47722 - 2⁵/₈" (67mm) Stromberg
- 456-161W - 3¹/₈" (80mm) Nikki/Gemini
- 47702 - 5¹/₈" (130mm) Holley
- 456-371W - Weber DFV/DFAV
- 456-471W - Weber DGV/DGAV
- 456-821W - Webber ADM/Falcon XE-F

Round 9"



- 3" (76mm) High -
Chrome Top, Paper Filter

- 457-101 - 2⁵/₁₆" (59mm) Stromberg
- 457-111 - 2⁵/₈" (67mm) Stromberg
- 457-161 - 3¹/₈" (80mm) Nikki/Gemini
- 457-921 - 5¹/₈" (130mm) Holley
- 457-371 - Weber DFV/DFAV
- 457-471 - Weber DGA/DGAV
- 457-821 - Weber ADM/Falcon XE-F



Round 14"



- 2"(51mm) High -
Chrome Top, Paper Filter

476-921 - Standard Base
476-941 - Recessed Base

Round 14"



- 2"(51mm) High -

Chrome Top, Red Cotton Washable Filter

476-921W - Standard Base
476-941W - Recessed Base

Round 14"



- 2"(51mm) High -

Chrome Top, Black Cotton Washable Filter

40836 - Standard Base
40837 - Recessed Base

Round 14"



- 3"(76mm) High -
Chrome Top, Paper Filter

477-921 - Standard Base
477-941 - Recessed Base
477-921/4 - Offset Base

Round 14"



- 3"(76mm) High -

Chrome Top, Red Cotton Washable Filter

47612T - Standard Base
47602 - Recessed Base

Round 14"



- 3"(76mm) High -

Chrome Top, Black Cotton Washable Filter

40838 - Standard Base
40839 - Recessed Base

Round 14"



- 4"(102mm) High -
Chrome Top, Paper Filter

AF144S - Standard Base
AF144R - Recessed base

Round 14"



- 4"(102mm) High -

Chrome Top, Red Cotton Washable Filter

478-921W - Standard Base
478-941W - Recessed base

Round 14"



- 4"(102mm) High -

Chrome Top, Black Cotton Washable Filter

40840 - Standard Base
40841 - Recessed Base

Round 14"



- 5"(127mm) High -
Chrome Top, Paper Filter

AF145S - Standard Base
AF145R - Recessed Base

Round 14"



- 5"(127mm) High -

Chrome Top, Red Cotton Washable Filter

479-921W - Standard Base
479-941W - Recessed Base

Round 14"



- 5"(102mm) High -

Chrome Top, Black Cotton Washable Filter

40842 - Standard Base
40843 - Recessed Base

Round 14"

- 2"(51mm) High -

Chrome Top, Blue Cotton Washable Filter

40844 - Standard Base

40845 - Recessed Base

Round 14"

- 2"(51mm) High -

Chrome Top, White Cotton Washable Filter

40850 - Standard Base

40851 - Recessed Base

Round 14"

- 3"(76mm) High, Smooth -

Polished Alloy with Recessed Base Holley

4913 - Paper Filter

49132 - Red Cotton Filter

49136 - Blue Cotton Filter

49131 - Black Cotton Filter

Round 14"

- 3"(76mm) High -

Chrome Top, Blue Cotton Washable Filter

47616 - Standard Base

47606 - Recessed Base

Round 14"

- 3"(76mm) High -

Chrome Top, White Cotton Washable Filter

40852 - Standard Base

40853 - Recessed Base

Round 14"

- 3"(76mm) High, Louvered -

Chrome Top with Recessed Base Holley.

4195 - Louvered Style with Paper Filter

Round 14"

- 4"(102mm) High -

Chrome Top, Blue Cotton Washable Filter

40846 - Standard Base

40847 - Recessed Base

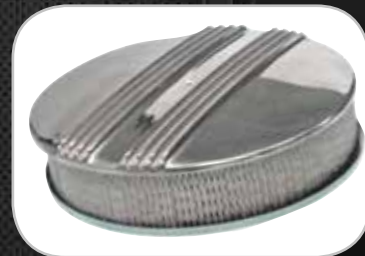
Round 14"

- 4"(102mm) High -

Chrome Top, White Cotton Washable Filter

40854 - Standard Base

40855 - Recessed Base

Round 14"

- 3"(76mm) High, Finned -

Polished Alloy with Recessed Base Holley

40802 - Paper Filter

408022 - Red Cotton Filter

408026 - Blue Cotton Filter

408021 - Black Cotton Filter

Round 14"

- 5"(127mm) High -

Chrome Top, Blue Cotton Washable Filter

40848 - Standard Base

40849 - Recessed Base

Round 14"

- 5"(127mm) High -

Chrome Top, White Cotton Washable Filter

40856 - Standard Base

40857 - Recessed Base

Round 14"

- 3"(76mm) High, Finned -

Polished Alloy with Recessed Base

40822 - Paper Filter

40823 - Red Cotton Filter

40858 - Blue Cotton Filter

40859 - Black Cotton Filter

Round 14"



- 3"(76mm) High, Flammed -
 Chrome Top, Paper Filter, Suit Holley
 5/8"(130mm) Neck
4758 - Recessed Base - Flamed

Round 14"



- 3"(76mm) High -
 Flamed
 Polished Alloy with Recessed Base Holley
4915 - Paper Filter
49152 - Red Cotton Filter
49156 - Blue Cotton Filter
49151 - Black Cotton Filter

Round 14"



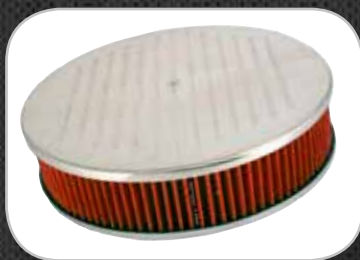
- 3"(76mm) High -
 Raised Flames
 Polished Alloy with Recessed Base
40828 - Paper Filter
40829 - Red Cotton Filter
40862 - Blue Cotton Filter
40863 - Black Cotton Filter

Round 14"



- 3"(76mm) High -
 Raised Flames
 Chrome Alloy with Recessed Base
40826 - Paper Filter
40827 - Red Cotton Filter
40860 - Blue Cotton Filter
40861 - Black Cotton Filter

Round 14"



- 3"(76mm) High -
 Milled
 Polished Alloy with Recessed Base Holley
4914 - Paper Filter
49142 - Red Cotton Filter
49146 - Blue Cotton Filter
49141 - Black Cotton Filter

Round 14"



- 3"(76mm) High -
 Finned
 Polished Alloy with Recessed Base with
 Black Polished finish
40830 - Paper Filter
40831 - Red Cotton Filter
40864 - Blue Cotton Filter
40865 - Black Cotton Filter

Round 14" Xtra Flow Filter



- 3"(76mm) High, Xtra Flow -

- High-flow cotton HPR filter element
- Allow air to enter from the top as well as through the filter
- Cleanable and reusable!
- 14"(356mm) x 3"(76mm) | Recessed based from low hood applications
- Fits most popular 5 1/8"(130mm) carb and TBI flanges
- Available in Red, Blue, Black and White

47621 - Black Filter **47622** - Red Filter
47628 - White Filter **47626** - Blue Filter

Round 14" Superflow Filters



- 4"(102mm) High -
 Suit Holley Recessed Base
 Red Cotton Washable Filter

43203 - Chrome Edge
43204 - Black Edge.



Round Air Filters

- Replacement Filters -

Paper Filters

Suit round chrome filters

Part Number	Width (Outer Diameter)		Height		Element Colour	Element Style
	Imperial	Metric	Imperial	Metric		
48099 -	4"	102mm	2"	51mm	White	Paper
419-2750 -	5 ¹ / ₈ "	130mm	2 ³ / ₁₆ "	55mm	White	Paper
ACE6X15 -	6 ³ / ₈ "	162mm	1 ¹ / ₂ "	38mm	White	Paper
ACE6X2 -	6 ³ / ₈ "	162mm	2"	51mm	White	Paper
ACE6X25 -	6 ³ / ₈ "	162mm	2 ¹ / ₂ "	64mm	White	Paper
ACE6X3 -	6 ³ / ₈ "	162mm	3"	76mm	White	Paper
ACE6X4 -	6 ³ / ₈ "	162mm	4"	102mm	White	Paper
489-2770 -	8 ³ / ₄ "	222mm	2 ³ / ₁₆ "	55mm	White	Paper
ACE9X2 -	9"	229mm	2"	51mm	White	Paper
ACE9X3 -	9"	229mm	3"	76mm	White	Paper
ACE9X4 -	9"	229mm	4"	102mm	White	Paper
ACE9X5 -	9"	229mm	5"	127mm	White	Paper
ACE9X6 -	9"	229mm	6"	152mm	White	Paper
ACE10X2 -	10"	254mm	2"	51mm	White	Paper
ACE10X3 -	10"	254mm	3"	76mm	White	Paper
ACE135X2 -	13 ¹ / ₂ "	343mm	2"	51mm	White	Paper
ACE135X3 -	13 ¹ / ₂ "	343mm	3"	76mm	White	Paper
ACE14X2 -	14"	356mm	2"	51mm	White	Paper
ACE14X25 -	14"	356mm	2 ¹ / ₂ "	64mm	White	Paper
ACE14X3 -	14"	356mm	3"	76mm	White	Paper
ACE14X4 -	14"	356mm	4"	102mm	White	Paper
ACE14X5 -	14"	356mm	5"	127mm	White	Paper
ACE14X6 -	14"	356mm	6"	152mm	White	Paper



Cotton High Flow Washable Filters

Suit round chrome filters

Part Number	Width (Outer Diameter)		Height		Element Colour	Element Style
	Imperial	Metric	Imperial	Metric		
419-2750W -	5 ¹ / ₂ "	140mm	2 ³ / ₁₆ "	55mm	White	Cotton
48062 -	6 ³ / ₈ "	162mm	2 ¹ / ₂ "	64mm	Red	Cotton
48052 -	9"	229mm	2"	51mm	Red	Cotton
2121 -	14"	356mm	2"	51mm	Red	Cotton
48021* -	14"	356mm	3"	76mm	Black	Cotton
48022* -	14"	356mm	3"	76mm	Red	Cotton
48026* -	14"	356mm	3"	76mm	Blue	Cotton
2122 -	14"	356mm	4"	102mm	Red	Cotton
HPR0138* -	14"	356mm	4"	102mm	Red	Cotton
HPR0138B* -	14"	356mm	4"	102mm	Blue	Cotton
HPR0138K* -	14"	356mm	4"	102mm	Black	Cotton
HPR0138W* -	14"	356mm	4"	102mm	White	Cotton
HPR0139* -	14"	356mm	5"	127mm	Red	Cotton
HPR0139B* -	14"	356mm	5"	127mm	Blue	Cotton
HPR0139K* -	14"	356mm	5"	127mm	Black	Cotton
HPR0139W* -	14"	356mm	5"	127mm	White	Cotton
2123 -	14"	356mm	5"	127mm	Red	Cotton
2127 -	14"	356mm	6"	152mm	Red	Cotton

*Filters that are covered by 10 year / 160,000km replacement warranty



Oval Air Filters

- Replacement Filters -

Paper Filters

Suit oval chrome filters

Part Number	Length		Height		Width		Element Colour	Element Style
	Imperial	Metric	Imperial	Metric	Imperial	Metric		
4808 -	11 ¹ / ₂ "	292mm	2"	51mm	8"	203mm	White	Paper
4810 -	14 ⁵ / ₈ "	371mm	2"	51mm	8"	203mm	White	Paper
6218 -	19"	483mm	2"	51mm	8"	203mm	White	Paper
40803 -	21"	533mm	2"	51mm	10"	254mm	White	Paper

Cotton High Flow Washable Filters

Suit oval chrome filters

Part Number	Length		Height		Width		Element Colour	Element Style
	Imperial	Metric	Imperial	Metric	Imperial	Metric		
2124 -	12"	305mm	2"	51mm	8 ¹ / ₄ "	210mm	Red	Cotton
2126 -	12"	305mm	4"	51mm	8 ¹ / ₄ "	210mm	Red	Cotton
HPR4808* -	12"	305mm	2"	51mm	8 ¹ / ₄ "	210mm	Red	Cotton
HPR4808B* -	12"	305mm	2"	51mm	8 ¹ / ₄ "	210mm	Blue	Cotton
HPR4808K* -	12"	305mm	2"	51mm	8 ¹ / ₄ "	210mm	Black	Cotton
HPR4808W* -	12"	305mm	2"	51mm	8 ¹ / ₄ "	210mm	White	Cotton
2128 -	15"	381mm	2"	51mm	8 ¹ / ₄ "	210mm	Red	Cotton
2130 -	15"	381mm	4"	102mm	8 ¹ / ₄ "	210mm	Red	Cotton
HPR4810* -	15"	381mm	2"	51mm	8 ¹ / ₄ "	210mm	Red	Cotton
HPR4810B* -	15"	381mm	2"	51mm	8 ¹ / ₄ "	210mm	Blue	Cotton
HPR4810K* -	15"	381mm	2"	51mm	8 ¹ / ₄ "	210mm	Black	Cotton
HPR4810W* -	15"	381mm	2"	51mm	8 ¹ / ₄ "	210mm	White	Cotton

*Filters that are covered by 10 year / 160,000km replacement warranty



Rectangle Air Filters

- Replacement Filters -

Paper Filters

Suit round chrome filters

Part Number	Length		Height		Width		Element Colour	Element Style
	Imperial	Metric	Imperial	Metric	Imperial	Metric		
429-2660 -	6 ³ / ₄ "	172mm	2 ³ / ₁₆ "	55mm	4 ¹ / ₄ "	108mm	White	Paper
439-2820 -	8 ¹¹ / ₁₆ "	221mm	2 ³ / ₁₆ "	55mm	4 ¹ / ₄ "	108mm	White	Paper
439-2760 -	8 ¹¹ / ₁₆ "	221mm	4 ⁵ / ₁₆ "	110mm	4 ¹ / ₄ "	108mm	White	Paper

Cotton High Flow Washable Filters

Suit round chrome filters

Part Number	Length		Height		Width		Element Colour	Element Style
	Imperial	Metric	Imperial	Metric	Imperial	Metric		
429-2660W -	6 ³ / ₄ "	172mm	2 ³ / ₁₆ "	55mm	4 ¹ / ₄ "	108mm	White	Cotton



Replacement Tops

Air Cleaner Tops



- Logo Chrome Embossed -
7081 - 14"(356mm) "350" Logo

Air Cleaner Tops



- Logo Chrome Embossed -
7082 - 14"(356mm) "383" Logo

Air Cleaner Tops



- Logo Chrome Embossed -
7083 - 14"(356mm) "396" Logo

Air Cleaner Tops



- Logo Chrome Embossed -
7085 - 14"(356mm) "454" Logo

Air Cleaner Tops



- Lightweight -
7300 - 14"(356mm) Alloy lightweight
Moroso Style

Air Cleaner Tops



- Standard -
4838 - 6³/₈"(162mm) Round

Air Cleaner Tops



- Standard -
4828 - 9"(229mm) Round

Air Cleaner Tops



- Standard -
4818 - 14"(356mm) Round

Air Cleaner Tops



- Moroso Style -
4818M - 14"(356mm) Round

Air Cleaner Tops



- Dish Style -
4818D - 14"(356mm) Round

Air Cleaner Tops



- Round Tops -
Warneford Style 304 Stainless
419-6010A - 5¹/₂"(140mm) Clip Type
419-6030A - 5¹/₂"(140mm) Stud Type
489-6170A - 8³/₄"(222mm) Clip Type
489-6180A - 8³/₄"(222mm) Stud Type

Air Cleaner Tops



- Rectangle Tops -
Warneford Style 304 Stainless
429-6040A - 4¹/₄"(108mm) x
6³/₄"(172mm)
439-6080A - 4¹/₄"(108mm) x
8¹¹/₁₆"(221mm)

Replacement Bases

Air Cleaner Bases



- 14"(356mm) Holley -
4858T - Raised

Air Cleaner Bases



- 14"(356mm) Holley -
4858S - Standard

Air Cleaner Bases



- 14"(356mm) Holley -
4858 - Recessed

Air Cleaner Bases



- 14"(356mm) Holley -
4858DR - Deep Recessed

Air Cleaner Bases



- 14"(356mm) Holley -
2395 - Dominator

Air Cleaner Bases



- 14"(356mm) Holley -
5195T - Offset

Air Cleaner Bases



- 9"(229mm) Holley -
4878S - Standard

Air Cleaner Bases



- 6 3/8"(162mm) Holley -
4898S - Standard



Air Cleaner Nut



- Small -
4210 - 1/4" & 5/16" Thread

Air Cleaner Nut



- Large -
4209 - 1/4" & 5/16" Thread

Air Cleaner Nut



- Large, Smooth -
2004 - 1/4" Thread

Air Cleaner Nut



- Small, Billet Alloy -
17585 - 1/4" Thread

Air Cleaner Nut



- Large, Billet Alloy -
17685 - 1/4" Thread

Air Cleaner Nut



- Knurled Chrome -
2183 - 1/4" Thread

Air Cleaner Nut



- Small & Large, Knurled -
1758 - Small - 1/4" Thread
1768 - Large - 1/4" Thread

Air Cleaner Nut



- Knurled-off -
2184 - 1/4" Thread

Air Cleaner Nut



- Small, Low Profile -
4208 - 1/4" Thread

Air Cleaner Nut



- Chrome, T-Bar Style -
5358 - 1/4" Thread

Air Cleaner Stud



2174L - 1/4" x 4" (102mm) Long

Air Cleaner Stud



- Dual Thread -
2174XL - 1/4" & 5/16" x 5" (127mm) Long

Air Cleaner Stud & Nut



4213 - Fits 1/4" x 5" (127mm) Long

Air Cleaner Stud



- Kit -
42133 - Adjusts from 2 3/4" (70mm) -
9" (229mm)

Air Cleaner Stud



4215 - Allows use of 5 1/8" (130mm) base air cleaners on GM™ single + dual stud throttle bodies

Air Cleaner Stud



409-5020A - M8 x 2⁹/₁₆" [65mm] Long

Air Cleaner Stud



- Stud Adaptors -
 409-5340A - 1/4" Unc (F) to 5/16" Unc (M)
 409-5480A - 5/16" Unc (F) to 1/4" Unc (M)

Air Cleaner Stud



- Stud Extensions -
 409-5993A - 50mm x 5/16" Unc
 409-5994A - 86mm M8 to 5/16" Unc

Air Cleaner Riser



- Kit -
 4954 - Includes 1/4" [6mm], 1/2" [13mm] & 1" [25mm] riser

Air Cleaner Riser



- To suit Holley 5 1/8" [130mm] Neck -
 4955 - 1/2" [13mm] Riser
 7307 - 3/4" [19mm] Riser
 4957S - 1" [25mm] Riser
 2326N - 1 1/2" [38mm] Riser
 2380 - 2" [51mm] Riser

Air Cleaner



- Adaptor -
 2176 - 5 1/8" [130mm] Neck to 2 5/8" [67mm] Carb Neck
 2177 - 5/8" [16mm] Neck to 3 3/16" [80mm] Carb Neck

Smog Tube Fitting



4960 - Fits 5/8" [16mm] & 3/4" [19mm] Hoses

Smog Tube Fitting



2192 - Fits 5/8" [16mm] & 3/4" [19mm] Hoses

Carb Cap Cover



- Adaptor -
 2012 - Suit Holley 5 1/8" [130mm] Neck

