

**SPEED BY SPECTRE**

*The 400mph Company*

**THE WORLD'S FASTEST**

**SILICONE** HOSE

**ALUMINIUM** TUBE

**CLAMPS**



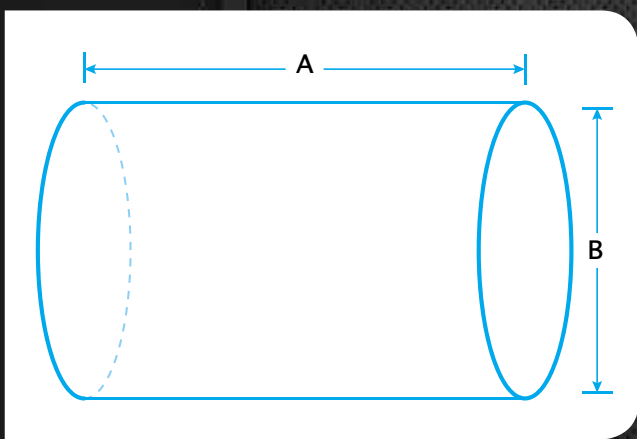
**N.PARTS**

# Straight Hoses

Material: Silicone VMQ (Vinyl Methyl Quality)  
 Textile reinforcement: 3 or 4 plies of polyester net  
 Temperature range: -60°C to 240°C  
 Standard wall thickness: 4.0mm - 5.0mm  
 Lengths: 76mm, 250mm & 1000mm  
 Appearance: Plain outward and inner  
 Colour: Black



Part Number Straight Hose	Inner Diameter (B)		Length (A)	
	metric	imperial	metric	imperial
SH-S-51-76-BLK	51mm	2.0in	76mm	3.0in
SH-S-51-250-BLK	51mm	2.0in	250mm	9.8in
SH-S-54-76-BLK	54mm	2.125in	76mm	3.0in
SH-S-57-76-BLK	57mm	2.25in	76mm	3.0in
SH-S-57-250-BLK	57mm	2.25in	250mm	9.8in
SH-S-60-76-BLK	60mm	2.375in	76mm	3.0in
SH-S-63-76-BLK	63mm	2.5in	76mm	3.0in
SH-S-63-250-BLK	63mm	2.5in	250mm	9.8in
SH-S-63-1000-BLK	63mm	2.5in	1,000mm	39.4in
SH-S-70-76-BLK	70mm	2.75in	76mm	3.0in
SH-S-76-76-BLK	76mm	3.0in	76mm	3.0in
SH-S-76-250-BLK	76mm	3.0in	250mm	9.8in
SH-S-76-1000-BLK	76mm	3.0in	1,000mm	39.4in
SH-S-80-76-BLK	80mm	3.125in	76mm	3.0in
SH-S-83-76-BLK	83mm	3.25in	76mm	3.0in
SH-S-89-76-BLK	89mm	3.5in	76mm	3.0in
SH-S-95-76-BLK	95mm	3.75in	76mm	3.0in
SH-S-102-76-BLK	102mm	4.0in	76mm	3.0in
SH-S-102-250-BLK	102mm	4.0in	250mm	9.8in



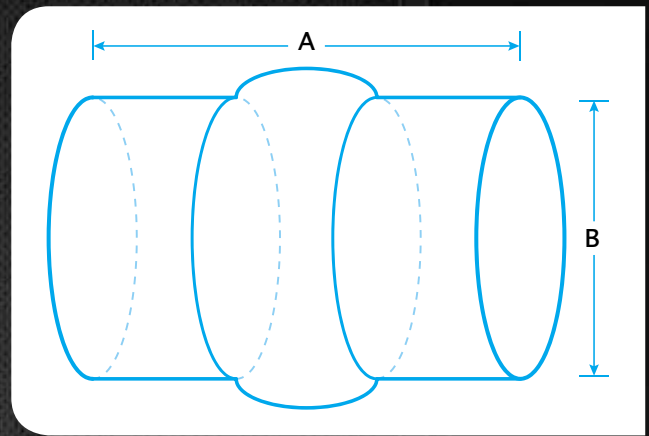
# Hump Hoses

Material: Silicone VMQ (Vinyl Methyl Quality)  
 Textile reinforcement: 3 or 4 plies of polyester net  
 Temperature range: -60°C to 240°C  
 Standard wall thickness: 4.0mm - 5.0mm  
 Lengths: 76mm  
 Appearance: Plain outward and inner  
 Colour: Black



## Hump Hoses cont.

Part Number Hump Hose	Inner Diameter (B)		Length (A)	
	metric	imperial	metric	imperial
SH-HU-51-76-BLK	51mm	2.0in	76mm	3.0in
SH-HU-57-76-BLK	57mm	2.25in	76mm	3.0in
SH-HU-60-76-BLK	60mm	2.375in	76mm	3.0in
SH-HU-63-76-BLK	63mm	2.5in	76mm	3.0in
SH-HU-70-76-BLK	70mm	2.75in	76mm	3.0in
SH-HU-76-76-BLK	76mm	3.0in	76mm	3.0in
SH-HU-80-76-BLK	80mm	3.125in	76mm	3.0in
SH-HU-83-76-BLK	83mm	3.25in	76mm	3.0in
SH-HU-89-76-BLK	89mm	3.5in	76mm	3.0in
SH-HU-95-76-BLK	95mm	3.75in	76mm	3.0in
SH-HU-102-76-BLK	102mm	4.0in	76mm	3.0in

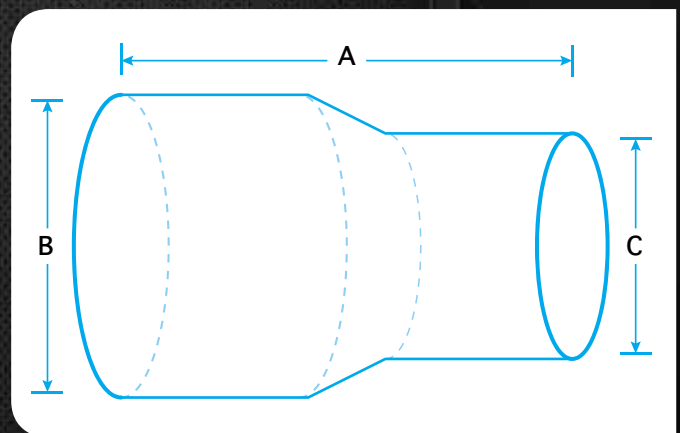


## Straight Reducer



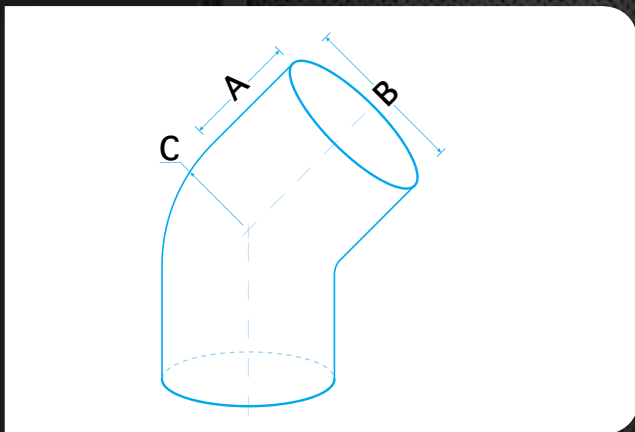
Material:	Silicone VMQ (Vinyl Methyl Quality)
Textile reinforcement:	3 or 4 plies of polyester net
Temperature range:	-60°C to 240°C
Standard wall thickness:	4.0mm - 5.0mm
Lengths:	76mm
Appearance	Plain outward and inner
Colour:	Black

Part Number Straight Reducer	Inner Diameter (B) > (C)		Length (A)	
	metric	imperial	metric	imperial
SH-R-51-38-BLK	51mm > 38mm	2in > 1.5in	76mm	3.0in
SH-R-51-45-BLK	51mm > 45mm	2in > 1.75in	76mm	3.0in
SH-R-54-51-BLK	54mm > 51mm	2.125in > 2in	76mm	3.0in
SH-R-57-51-BLK	57mm > 51mm	2.25in > 2in	76mm	3.0in
SH-R-60-48-BLK	60mm > 48mm	2.375in > 1.875in	76mm	3.0in
SH-R-63-51-BLK	63mm > 51mm	2.5in > 2in	76mm	3.0in
SH-R-63-57-BLK	63mm > 57mm	2.5in > 2.25in	76mm	3.0in
SH-R-70-51-BLK	70mm > 51mm	2.75in > 2in	76mm	3.0in
SH-R-70-57-BLK	70mm > 57mm	2.75in > 2.25in	76mm	3.0in
SH-R-70-63-BLK	70mm > 63mm	2.75in > 2.5in	76mm	3.0in
SH-R-76-51-BLK	76mm > 51mm	3in > 2in	76mm	3.0in
SH-R-76-57-BLK	76mm > 57mm	3in > 2.25in	76mm	3.0in
SH-R-76-63-BLK	76mm > 63mm	3in > 2.5in	76mm	3.0in
SH-R-76-70-BLK	76mm > 70mm	3in > 2.75in	76mm	3.0in
SH-R-80-60-BLK	80mm > 60mm	3.125in > 2.375in	76mm	3.0in
SH-R-80-63-BLK	80mm > 63mm	3.125in > 2.5in	76mm	3.0in
SH-R-80-70-BLK	80mm > 70mm	3.125in > 2.75in	76mm	3.0in
SH-R-80-74-BLK	80mm > 74mm	3.125in > 2.9375in	76mm	3.0in
SH-R-80-76-BLK	80mm > 76mm	3.125in > 3in	76mm	3.0in
SH-R-83-70-BLK	83mm > 70mm	3.25in > 2.75in	76mm	3.0in
SH-R-83-76-BLK	83mm > 76mm	3.25in > 3in	76mm	3.0in
SH-R-89-76-BLK	89mm > 76mm	3.5in > 3in	76mm	3.0in
SH-R-89-80-BLK	89mm > 80mm	3.5in > 3.125in	76mm	3.0in
SH-R-102-76-BLK	102mm > 76mm	4in > 3in	76mm	3.0in
SH-R-102-89-BLK	102mm > 89mm	4in > 3.55in	76mm	3.0in
SH-R-127-102-BLK	127mm > 102mm	5in > 4in	76mm	3.0in

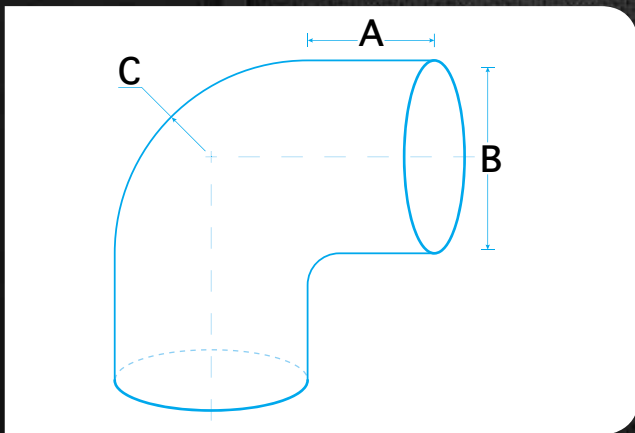


# Elbow 45° / 90° / 135°

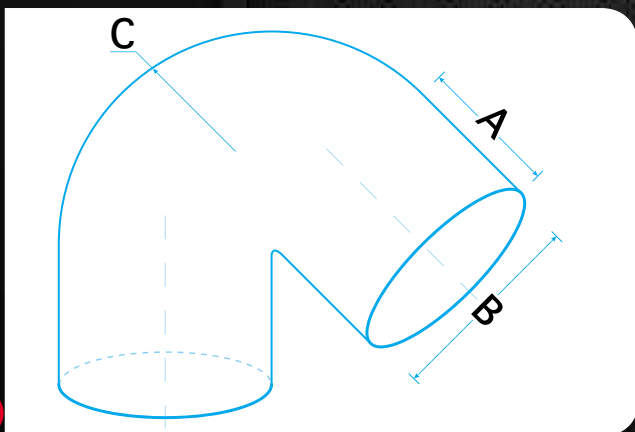
Material: Silicone VMQ (Vinyl Methyl Quality)  
 Textile reinforcement: 3 or 4 plies of polyester net  
 Temperature range: -60°C to 240°C  
 Standard wall thickness: 4.0mm - 5.0mm  
 Lengths: 50mm  
 Appearance: Plain outward and inner  
 Colour: Black



Part Number	Inner Diameter (B)		Length (A)	
	metric	imperial	metric	imperial
SH-E45-51-50-BLK	51mm	2in	50mm	2.0in
SH-E45-54-50-BLK	54mm	2.125in	50mm	2.0in
SH-E45-57-50-BLK	57mm	2.25in	50mm	2.0in
SH-E45-60-50-BLK	60mm	2.375in	50mm	2.0in
SH-E45-63-50-BLK	63mm	2.5in	50mm	2.0in
SH-E45-70-50-BLK	70mm	2.75in	50mm	2.0in
SH-E45-76-50-BLK	76mm	3in	50mm	2.0in
SH-E45-80-50-BLK	80mm	3.125in	50mm	2.0in
SH-E45-83-50-BLK	83mm	3.25in	50mm	2.0in
SH-E45-89-50-BLK	89mm	3.5in	50mm	2.0in
SH-E45-95-50-BLK	95mm	3.75in	50mm	2.0in
SH-E45-102-50-BLK	102mm	4in	50mm	2.0in



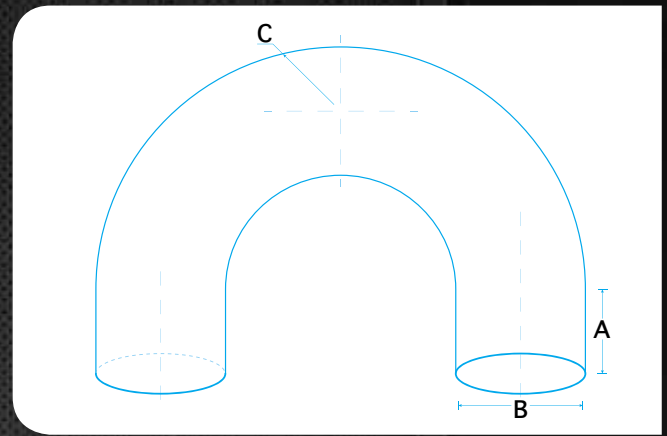
Elbow 90° Degree (C)				
SH-E90-51-50-BLK	51mm	2in	50mm	2.0in
SH-E90-54-50-BLK	54mm	2.125in	50mm	2.0in
SH-E90-57-50-BLK	57mm	2.25in	50mm	2.0in
SH-E90-60-50-BLK	60mm	2.375in	50mm	2.0in
SH-E90-63-50-BLK	63mm	2.5in	50mm	2.0in
SH-E90-70-50-BLK	70mm	2.75in	50mm	2.0in
SH-E90-76-50-BLK	76mm	3in	50mm	2.0in
SH-E90-80-50-BLK	80mm	3.125in	50mm	2.0in
SH-E90-83-50-BLK	83mm	3.25in	50mm	2.0in
SH-E90-89-50-BLK	89mm	3.5in	50mm	2.0in
SH-E90-95-50-BLK	95mm	3.75in	50mm	2.0in
SH-E90-102-50-BLK	102mm	4in	50mm	2.0in



Elbow 135° Degree (C)				
SH-E135-51-50-BLK	51mm	2in	50mm	2.0in
SH-E135-57-50-BLK	57mm	2.25in	50mm	2.0in
SH-E135-63-50-BLK	63mm	2.5in	50mm	2.0in
SH-E135-70-50-BLK	70mm	2.75in	50mm	2.0in
SH-E135-76-50-BLK	76mm	3in	50mm	2.0in
SH-E135-83-50-BLK	83mm	3.25in	50mm	2.0in
SH-E135-89-50-BLK	89mm	3.5in	50mm	2.0in

# Elbow 45° / 90° / 135° cont.

Part Number	Inner Diameter (B)		Length (A)	
	metric	imperial	metric	imperial
SH-E180-51-50-BLK	51mm	2in	50mm	2.0in
SH-E180-57-50-BLK	57mm	2.25in	50mm	2.0in
SH-E180-63-50-BLK	63mm	2.5in	50mm	2.0in
SH-E180-70-50-BLK	70mm	2.75in	50mm	2.0in
SH-E180-76-50-BLK	76mm	3in	50mm	2.0in

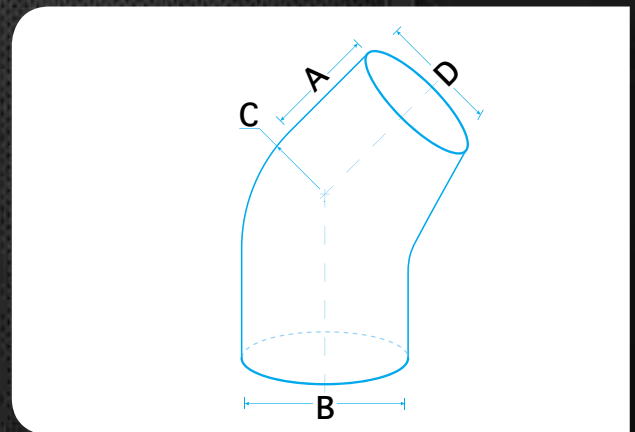


# Reducer Elbow 45° / 90°

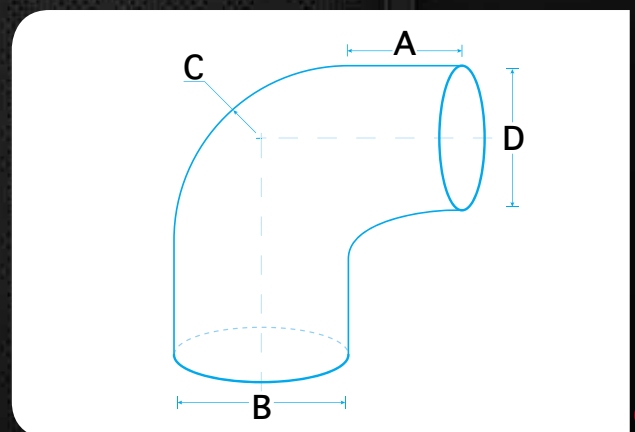


**Material:** Silicone VMQ (Vinyl Methyl Quality)  
**Textile reinforcement:** 3 or 4 plies of polyester net  
**Temperature range:** -60°C to 240°C  
**Standard wall thickness:** 4.0mm - 5.0mm  
**Lengths:** 50mm  
**Appearance:** Plain outward and inner  
**Colour:** Black

Part Number	Inner Diameter (B) > (D)		Length (A)	
	metric	imperial	metric	imperial
SH-RE45-51-38-BLK	51mm > 38mm	2in > 1.5in	50mm	2.0in
SH-RE45-57-51-BLK	57mm > 51mm	2.25in > 2in	50mm	2.0in
SH-RE45-63-51-BLK	63mm > 51mm	2.5in > 2in	50mm	2.0in
SH-RE45-70-63-BLK	70mm > 63mm	2.75in > 2.5in	50mm	2.0in
SH-RE45-76-51-BLK	76mm > 51mm	3in > 2in	50mm	2.0in
SH-RE45-76-63-BLK	76mm > 63mm	3in > 2.5in	50mm	2.0in
SH-RE45-102-76-BLK	102mm > 76mm	4in > 3in	50mm	2.0in



Part Number	Inner Diameter (B) > (D)		Length (A)	
	metric	imperial	metric	imperial
SH-RE90-51-38-BLK	51mm > 38mm	2in > 1.5in	50mm	2.0in
SH-RE90-57-51-BLK	57mm > 51mm	2.25in > 2in	50mm	2.0in
SH-RE90-63-51-BLK	63mm > 51mm	2.5in > 2in	50mm	2.0in
SH-RE90-70-63-BLK	70mm > 63mm	2.75in > 2.5in	50mm	2.0in
SH-RE90-76-51-BLK	76mm > 51mm	3in > 2in	50mm	2.0in
SH-RE90-76-63-BLK	76mm > 63mm	3in > 2.5in	50mm	2.0in
SH-RE90-102-76-BLK	102mm > 76mm	4in > 3in	50mm	2.0in



# Aluminium Tubes

## Straight Tube



- 1" (25mm)  
Long Tube -  
9421 - 3" (76mm) ID  
9721 - 4" (102mm) ID

## Straight Tube



- 2" (51mm)  
Long Tube -  
9422 - 3" (76mm) ID  
9722 - 4" (102mm) ID

## Straight Tube



- 4" (102mm)  
Long Tube -  
9209 - 2.5" (63mm) ID  
9409 - 3" (76mm) ID  
9509 - 3.5" (89mm) ID  
9709 - 4" (102mm) ID

## Straight Tube



- 6" (152mm)  
Long Tube -  
9219 - 2.5" (63mm) ID  
9419 - 3" (76mm) ID  
9519 - 3.5" (89mm) ID  
9719 - 4" (102mm) ID

## Tube with Bead



- Polished Alloy  
with Riby -  
Also Suit Intercooler Piping  
7027 - 3" (89mm) OD -  
11.81" (300mm)  
Long

## Straight Tube



- 24" (610mm)  
Long Tube -  
9224 - 2.5" (63mm) ID  
9424 - 3" (76mm) ID  
9524 - 3.5" (89mm) ID  
9724 - 4" (102mm) ID

## Mandrel Bend



### - 22° Bend -

	Outer Diameter		Radius		Leg Length		Overall Height	
	Imperial	Metric	Imperial	Metric	Imperial	Metric	Imperial	Metric
9229 -	2.5"	[64mm]	3.5"	[89mm]	1"	[25mm]	4.5"	[114mm]
9429 -	3"	[76mm]	9.5"	[241mm]	1"	[25mm]	6"	[152mm]
9529 -	3.5"	[89mm]	4.5"	[114mm]	1"	[25mm]	5.5"	[140mm]
9729 -	4"	[102mm]	10.9"	[276mm]	1"	[25mm]	6.75"	[171mm]

*As Fabricated pipes are not pressure tested. We do not recommend use for intercooler piping ect.*

## Mandrel Bend

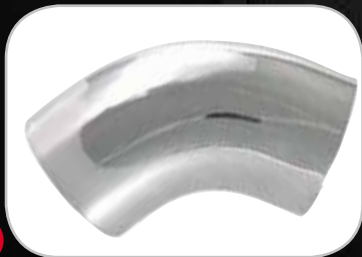


### - 45° Bend -

	Outer Diameter		Radius		Leg Length		Overall Height	
	Imperial	Metric	Imperial	Metric	Imperial	Metric	Imperial	Metric
9249 -	2.5"	[64mm]	2.75"	[70mm]	1"	[25mm]	4.5"	[114mm]
9449 -	3"	[76mm]	4.5"	[114mm]	1"	[25mm]	6"	[152mm]
9549 -	3.5"	[89mm]	3.75"	[95mm]	1"	[25mm]	5.5"	[140mm]
9749 -	4"	[102mm]	4.75"	[120mm]	1"	[25mm]	6.4"	[162mm]

*As Fabricated pipes are not pressure tested. We do not recommend use for intercooler piping ect.*

## Mandrel Bend



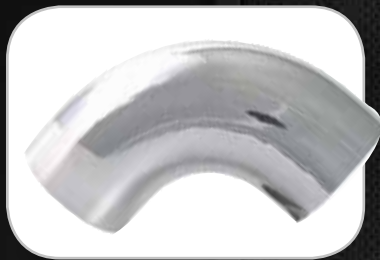
### - 60° Bend -

	Outer Diameter		Radius		Leg Length		Overall Height	
	Imperial	Metric	Imperial	Metric	Imperial	Metric	Imperial	Metric
9269 -	2.5"	[64mm]	2.75"	[70mm]	1"	[25mm]	5"	[127mm]
9469 -	3"	[76mm]	3.25"	[83mm]	1"	[25mm]	5.6"	[142mm]
9569 -	3.5"	[89mm]	3.9"	[99mm]	1"	[25mm]	6.25"	[159mm]
9769 -	4"	[102mm]	4"	[102mm]	1"	[25mm]	6.6"	[167mm]

*As Fabricated pipes are not pressure tested. We do not recommend use for intercooler piping ect.*

# Aluminium Tubes

## Mandrel Bend



### - 90° Bend -

	Outer Diameter		Radius		Leg Length		Overall Height	
	Imperial	Metric	Imperial	Metric	Imperial	Metric	Imperial	Metric
<b>9299</b> -	2.5"	(64mm)	3"	(76mm)	1"	(25mm)	5.2"	(132mm)
<b>9499</b> -	3"	(76mm)	3.25"	(83mm)	1"	(25mm)	5.9"	(150mm)
<b>9599</b> -	3.5"	(89mm)	3.75"	(95mm)	1"	(25mm)	6.5"	(165mm)
<b>9799</b> -	4"	(102mm)	4.1"	(104mm)	1"	(25mm)	6.8"	(178mm)

*As Fabricated pipes are not pressure tested. We do not recommend use for intercooler piping ect..*

## Weld Bend



### - 60° Two Weld Bend -

	Outer Diameter		Radius		Leg Length		Overall Height	
	Imperial	Metric	Imperial	Metric	Imperial	Metric	Imperial	Metric
<b>9268</b> -	2.5"	(64mm)	2.5"	(64mm)	1"	(25mm)	4.25"	(108mm)
<b>9468</b> -	3"	(76mm)	2.5"	(64mm)	1"	(25mm)	5.1"	(130mm)
<b>9568</b> -	3.5"	(89mm)	2"	(51mm)	1"	(25mm)	5"	(127mm)
<b>9768</b> -	4"	(102mm)	3.5"	(89mm)	1"	(25mm)	6"	(152mm)

*As Fabricated pipes are not pressure tested. We do not recommend use for intercooler piping ect..*

## Weld Bend



### - 90° Three Weld Bend -

	Outer Diameter		Radius		Leg Length		Overall Height	
	Imperial	Metric	Imperial	Metric	Imperial	Metric	Imperial	Metric
<b>9298</b> -	2.5"	(64mm)	2"	(51mm)	1"	(25mm)	4.25"	(108mm)
<b>9498</b> -	3"	(76mm)	2"	(51mm)	1"	(25mm)	4.7"	(119mm)
<b>9598</b> -	3.5"	(89mm)	2.5"	(64mm)	1"	(25mm)	5.25"	(133mm)
<b>9798</b> -	4"	(102mm)	2.5"	(64mm)	1"	(25mm)	5.6"	(142mm)

*As Fabricated pipes are not pressure tested. We do not recommend use for intercooler piping ect..*

## Weld Y-Tube



### - 135° Y-Tube -

	Outer Diameter		Radius		Leg Length		Overall Height	
	Imperial	Metric	Imperial	Metric	Imperial	Metric	Imperial	Metric
<b>9479</b> -	3"	(76mm)	---	---	1"	(25mm)	5.75"	(146mm)
<b>9778</b> -	4"	(102mm)	6.1"	(155mm)	1"	(25mm)	6.1"	(155mm)

*As Fabricated pipes are not pressure tested. We do not recommend use for intercooler piping ect..*

## T-Bolt Clamp



### - Stainless Steel - 0.5" (12mm) Width

- 8611** - 2" - 2.3" (50-59mm)  
Clamp Range
- 8612** - 2.3" - 2.7" (60-69mm)  
Clamp Range
- 8613** - 2.7" - 3.1" (70-79mm)  
Clamp Range
- 8614** - 3.1" - 3.5" (80-89mm)  
Clamp Range
- 8615** - 3.5" - 3.9" (90-99mm)  
Clamp Range
- 8616** - 3.9" - 4.3" (100-109mm)  
Clamp Range

## HD Clamps



### - Stainless Steel - 0.5" (12mm) Width

- 8511** - 2.6" - 2.8" (68-73mm)  
Clamp Range
- 8513** - 2.8" - 3.1" (73-79mm)  
Clamp Range
- 8515** - 3.1" - 3.3" (79-85mm)  
Clamp Range
- 8517** - 3.3" - 3.5" (85-91mm)  
Clamp Range
- 8519** - 3.5" - 3.8" (91-97mm)  
Clamp Range

## Collar Clamp



### - 1.6" (42mm) Extra Wide - Polished Stainless

- 9406** - Suit 3" (76mm) OD Tubes
- 9706** - Suit 4" (101mm) OD Tubes



**National Auto Parts Depot Pty Ltd**

20 Productions Drive, Campbellfield 3061  
Phone: 03 9357 6100 Fax: 03 9357 0531  
[www.naparts.com.au](http://www.naparts.com.au)

*\*Note: Images used are not to scale*